

GB Instruction for use
SE Bruksanvisning
NO Bruksanvisning
DK Brugsanvisning
FI Käyttöohje
DE Bedienungsanleitung
NL Gebruikersinstructies

FR Manuel d'utilisation
ES Instrucciones de uso
LV Lietošanas pamācība
LT Naudojimo instrukcija
EE Kasutusjuhend
PL Instrukcje dla użytkowników

POWERTEX



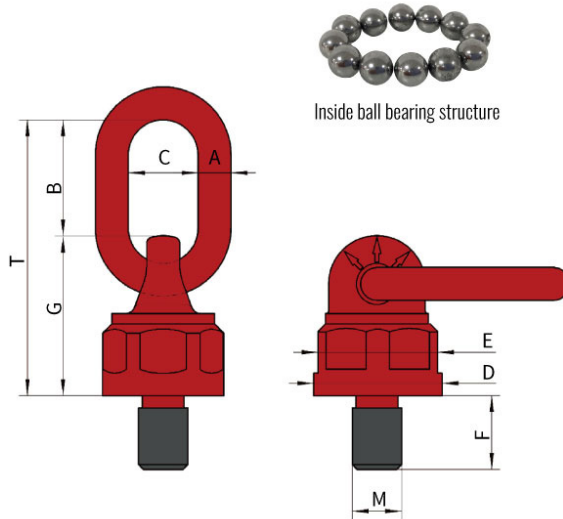
Lifting Point with ball bearing link LPB

User Manual



POWERTEX Lifting point with ball bearing link LPB Instruction for use (GB) (Original instructions)

Data and dimensions POWERTEX LPB



DIMENSIONS & TORQUE

Model	Thread M (mm)	F (mm)	A (mm)	B (mm)	C (mm)	D (mm)	E (mm)	G (mm)	T Nm	Torque Nm
LPB-M8	M8 x 1.25-6g	12	12	44	30	40	37	46	98	10-40
LPB-M10	M10 x 1.5-6g	19	12	44	30	40	37	46	98	10-40
LPB-M12	M12 x 1.75-6g	19	12	44	30	40	37	46	98	15-40
LPB-M16	M16 x 2.0-6g	31.8	12	44	30	40	37	46	98	45-130
LPB-M20	M20 x 2.5-6g	38.1	20	67	40	70	64.3	76	160	100-170
LPB-M24	M24 x 3.0-6g	38.1	20	67	40	70	64.3	76	160	190-280
LPB-M30	M30 x 3.5-6g	50	22	95	51	79	74	91	206	270-600
LPB-M36	M36 x 4.0-6g	54	22	95	51	79	74	91	206	270-600
LPB-M42	M42 x 4.5-6g	63	26	108	65	93	85	100.5	230.5	350-800
LPB-M48	M48 x 5.0-6g	68	26	108	65	93	85	100.5	230.5	350-800
LPB-M56	M56 x 5.5-6g	84	32	120	70	105	95	132	278	350-900
LPB-M64	M64 x 6.0-6g	95	32	120	70	105	95	132	278	500-1000

Load diagram LPB

Working temperature -40° up to +200°C without reduction of WLL.

Note: The product is marked with the lowest WLL from the chart. In straight vertical lifting in the centerline of the bolt the WLL is allowed to be higher than the marked general WLL.

Model	Working Load Limit WLL (t)								
LPB-M8	0.6	0.4	1.2	0.8	0.6	0.4	0.8	0.6	0.4
LPB-M10	0.9	0.6	1.8	1.2	0.8	0.6	1.3	0.9	0.6
LPB-M12	1.2	0.7	2.4	1.4	1.0	0.7	1.5	1.1	0.7
LPB-M16	2.6	1.5	5.2	3	2.1	1.5	3.2	2.3	1.5
LPB-M20	4	2.5	8	5	3.5	2.5	5.3	3.8	2.5
LPB-M24	7	4	14	8	5.6	4	8.4	6	4
LPB-M30	10	6	20	12	8.4	6	12.6	9	6
LPB-M36	15	10	30	20	14	10	21	15	10
LPB-M42	17	13	34	26	18.2	13	27.3	19.5	13
LPB-M48	18	14	36	28	19.6	14	29.4	21	14
LPB-M56	28	20	56	4	28	20	42	30	20
LPB-M64	28	20	56	40	28	20	42	30	20

WARNING

The work with lifting devices and equipment must be well planned, organised, and executed to prevent hazardous situations. In accordance with national statutory regulations lifting devices and equipment must only be used by someone well familiar with the work and having theoretical and practical knowledge of safe use. Before the equipment is used, the instruction manual must be read. It contains important information about how the equipment will work in a safe and correct way. Failure to follow the regulations of this instruction may cause serious consequences such as risk of injury. Apart from the instruction manual we refer to existing national regulations that may supersede these instructions.

General description

POWERTEX LPB Lifting points are intended to be used as lifting equipment to be mounted directly to the load in order to lift it or used as parts of a lifting assembly like lifting beam, lifting sling etc. LPB have a ball bearing swivel allowing it to rotate also under load. POWERTEX LPB lifting points meet all relevant requirements of the Machinery Directive 2006/42/EC and its latest amendments.

Use in adverse environments

Temperature's effect on working load limit (WLL): Account should be taken to the temperature that can be reached in service. POWERTEX LPB lifting points can be used in temperatures between -40°C and +200°C without reduction of the working load limits.

Acidic conditions: High strength lifting components should not be used either immersed in acidic solutions or exposed to acid fumes. For the same reason they must not be hot dip galvanized or exposed to electrolytic finishing without permission from the manufacturer.

Chemical affects: Consult with your distributor in case the products are to be exposed to chemicals especially combined with high temperatures.

Hazardous conditions: In particularly hazardous conditions including offshore activities, lifting of a person, and lifting of potentially dangerous loads such as molten metals, corrosive materials or fissile materials, the degree of hazard should be assessed by a competent person and the working load limit adjusted accordingly.

Use temperature range

-40 up to +200°C without reduction in WLL

+200 up to +300°C allowed with 10% reduction in WLL

+300 up to +400°C allowed with 25% reduction in WLL

Marking

POWERTEX LPB lifting points are generally marked with:

- Working Load Limit (WLL) e.g. WLL 0,4t
- Manufacturer's symbol e.g. POWERTEX or PX.
- Model name – Size e.g. LPB-M8
- Traceability code e.g. F2 (indicating a particular batch).
- Conformity marks CE + UKCA

Material and finish

POWERTEX LPB lifting points are forged from high strength alloy steel and parts are electro-static powder painted. Welded links are proof load tested 2,5 x WLL. Other load bearing parts are crack detection tested.

Selection

Select the type of lifting point, thread size and working load limit suitable for the particular application. If extreme circumstances, vibrations or shock loading may occur, this must be taken into account when selecting the correct lifting point.

Before first use

Ensure that the lifting points delivered corresponds to the order and that certificate and Declaration of Conformity is made available. Keep a register of all lifting equipment and make sure they are regularly checked to be fit for use.

Assembly and use

If any of these check points is not met the lifting point should not be used:

- Check that all markings are legible.
- Check there are no defects such as wear, deformation, cuts, nicks, gauges, cracks, corrosion or other visible defects that could affect the safety.

Ensure that the WLL of the lifting point is sufficient for the load to be lifted, see WLL chart. The lifting point shall be screwed tightly to the structure or load using a torque wrench. If risk of vibrations etc one should consider Loctite or other means of securing. Ensure after mounting that the lifting point can rotate and pivot freely without any obstructions in the intended angles of use. Tapped holes must be deep enough to allow the bottom of the lifting point to be supported by the contact surface. The threaded hole must be made perpendicular to the contact surface and the contact surface needs to be plane and dimensioned to accommodate the lifting point.

Recommended minimum thread lengths of different materials in relation to the metric thread diameter:

- 1 x M for steel
- 1,25 x M for cast iron
- 2 x M for aluminum alloys
- 2,5 x M for aluminum-magnesium alloys

When mounted, position the link so it can be connected directly to the lifting machine or to intermediate lifting equipment to perform the lifting operation.

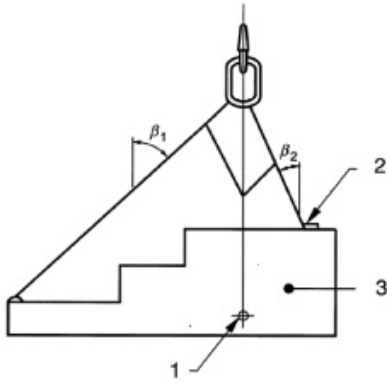
Safety when lifting

Working load limit of the lifting equipment must never be exceeded. Hands and other parts of the body should be kept away to prevent injury as the slack is taken up. The load should be raised slightly without shock and a check made to ensure that it is secure and assumes the position intended. Lifting personnel must be aware of the risks of swinging and tilting loads. Never allow persons or body parts under hanging load. Do not allow persons to ride on the load while the load is being lifted. The landing site should be well prepared. It should be ensured that the ground or floor is of adequate strength to take the load. It should also be ensured that there is adequate access to the landing site and that it is clear of any unnecessary obstacles and people. The load should be landed carefully ensuring that body parts are kept clear. Ensure the stability of the load when landed before removing the lifting equipment.

Center of gravity

To avoid swinging or rotation of the load it is important to position the lifting points symmetrically above the center of gravity of the load:

- For a 1-point lift the attachment point should be arranged vertically above the center of gravity.
- For a 2-points lift the attachment points should be arranged on each side of and above the center of gravity.
- For a 3- and 4-points lift the attachment points should be arranged symmetrically in a plane around and above the center of gravity. It is preferable that the distribution should be equal and that the attachment points are above the center of gravity.



1. Centre of gravity
2. High tension in this leg
3. Load P

Load symmetry

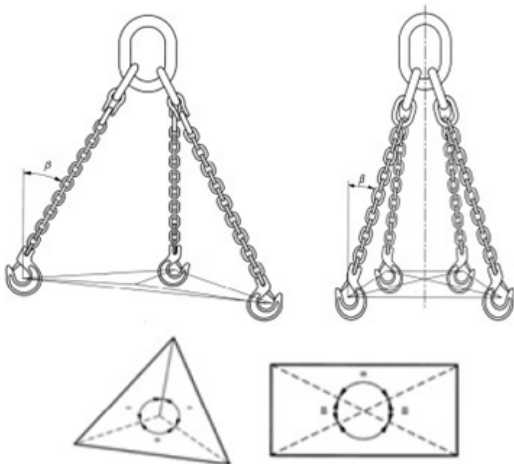
Working load limits (WLL) for the different configurations have been determined on the basis that the loading is symmetrical. This means that when the load is lifted the lifting points are symmetrically disposed in a plane and subtend the same angles to the vertical.

In the case of 2-, 3- and 4- leg chain slings, if the legs subtend different angles to the vertical the greatest tension will be in the leg with the smallest angle to the vertical. In the extreme case, if one leg is vertical, it will carry the entire load.

The loading can be assumed to be symmetric if all the following conditions are satisfied and the load is less than 80% of marked WLL:

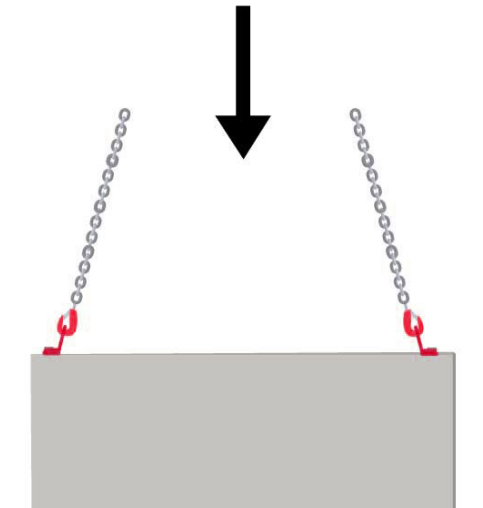
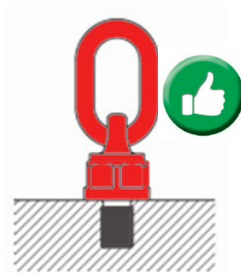
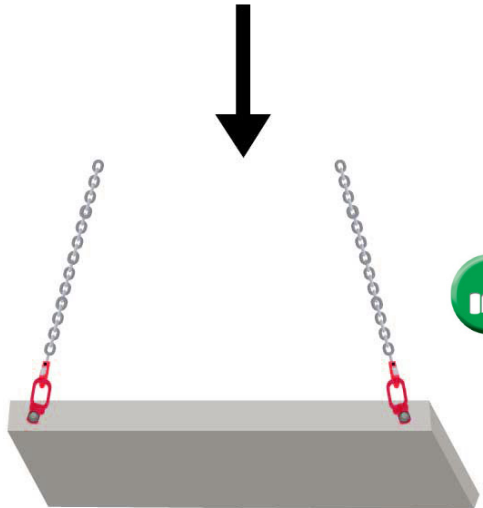
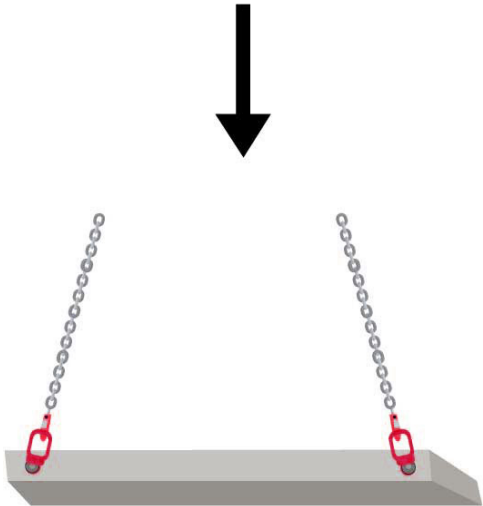
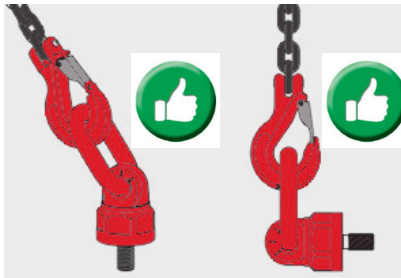
- a) chain sling leg angles to the vertical are all not less than 15°; and
- b) chain sling leg angles to the vertical are all within 15° to each other; and
- c) in the case of three- and four-leg chain slings, the plan angles are within 15° of each other.

If all of the above parameters are not satisfied, then the loading should be considered as asymmetric, and the lift referred to a competent person to establish the safe rating. Alternatively, in the case of asymmetric loading, the chain sling should be rated at half the marked WLL.



Symmetry of loading

Allowed use / Forbidden use



Storage of lifting points

When not in use lifting points should normally be kept on a properly designed rack. They should not be left lying on the ground where they may be damaged. If it is likely that the products will be out of use for some time they should be cleaned, dried, and protected from corrosion, e.g. lightly oiled.

Inspection and maintenance

Daily inspection

During service the lifting points are subjected to conditions that may affect their safety. It is therefore necessary to complete daily checks and ensure that the lifting points are safe for continued use. The lifting point should be withdrawn from service and referred to a competent person for thorough examination if any of the following is observed before each use:

- Check that all markings are legible.
- Check there are no defects such as wear, deformation, cuts, nicks, gauges, cracks, corrosion or other visible defects that could affect the safety.
- Check that the ball bearing swivel can rotate easily and do not have excessive play.
- Ensure that the WLL of the lifting point is sufficient for the load to be lifted.
- Ensure that the lifting point is screwed tightly to the structure and that the lifting point can rotate and pivot freely without any obstructions in the angles of use.

Thorough examination

A thorough examination should be carried out by a competent person at intervals not exceeding twelve months. This interval should be less were deemed necessary in the light of service conditions. Records of such examinations should be maintained.

The products should be thoroughly cleaned to be free from oil, dirt and rust prior to examination. Any cleaning method which does not damage the parent metal is acceptable. Methods to avoid are those using acids, overheating, removal of metal or movement of metal which may cover cracks or surface defects.

Adequate lighting should be provided to detect any signs of wear, distortion or external damage.

Components that are worn, deformed, cracked, visibly distorted, severely corroded or have deposits which cannot be removed should be discarded and replaced. Minor damage such as nicks and gouges may be removed by careful grinding or filing. The surface should blend smoothly into the adjacent material without abrupt change of section. The complete removal of the damage should not reduce the thickness of the section at that point to less than the manufacturer's specified minimum dimensions or by more than 10% of nominal thickness of the section. Check condition of the threaded bolt. Check that the ball bearing swivel can rotate easily and do not have excessive play.

Repair: Use only original spare parts.

End of use / Disposal

The lifting points shall be sorted / scrapped as general steel scrap.

Disclaimer

We reserve the right to modify product design, materials, specifications or instructions without prior notice and without obligation to others.

If the product is modified in any way, or if it is combined with a non-compatible product/component, we take no responsibility for the consequences regarding the safety of the product.

EC Declaration of conformity

SCM Citra OY

Aessorinkatu 3-7

20780 Kaarina, Finland

www.powertex-products.com

hereby declares that POWERTEX product as described above is in compliance with EC Machinery Directive 2006/42/EC.

UK Declaration of conformity

SCM Citra OY

Aessorinkatu 3-7

20780 Kaarina, Finland

www.powertex-products.com

hereby declares that the POWERTEX product as described above is in compliance with the Supply of Machinery (Safety) Regulations 2008.

Marking

The POWERTEX lifting points LPB are **CE** and **UKCA** marked.



User Manuals

You can always find the valid and updated User Manuals on the web.
The manual is updated continuously and valid only in the latest version.

NB! The English version is the Original instruction.

The manual is available as a download under the following link:
www.powertex-products.com/manuals



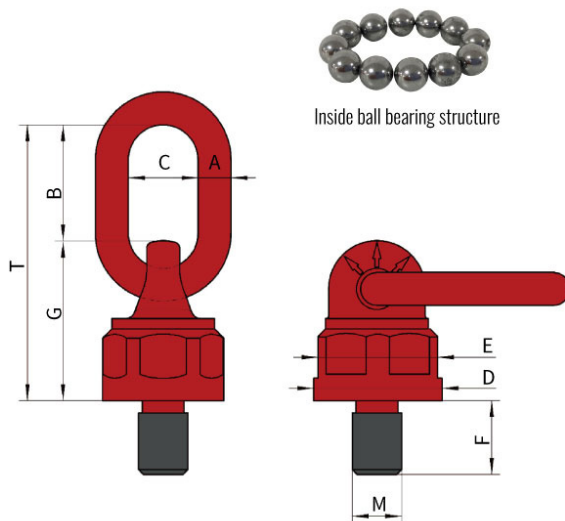
Product compliance and conformity

SCM Citra OY
Asessorinkatu 3-7
20780 Kaarina Finland
Finland
www.powertex-products.com



POWERTEX Kullagrad Lyftögla LPB Användarinstruktioner (SE)

Data och mått för POWERTEX LPB



MÅTT & ÅTDRAGNINGSMOMENT

Modell	Gänga M (mm)	F (mm)	A (mm)	B (mm)	C (mm)	D (mm)	E (mm)	G (mm)	T Nm	Moment Nm
LPB-M8	M8 x 1.25-6g	12	12	44	30	40	37	46	98	10-40
LPB-M10	M10 x 1.5-6g	19	12	44	30	40	37	46	98	10-40
LPB-M12	M12 x 1.75-6g	19	12	44	30	40	37	46	98	15-40
LPB-M16	M16 x 2.0-6g	31.8	12	44	30	40	37	46	98	45-130
LPB-M20	M20 x 2.5-6g	38.1	20	67	40	70	64.3	76	160	100-170
LPB-M24	M24 x 3.0-6g	38.1	20	67	40	70	64.3	76	160	190-280
LPB-M30	M30 x 3.5-6g	50	22	95	51	79	74	91	206	270-600
LPB-M36	M36 x 4.0-6g	54	22	95	51	79	74	91	206	270-600
LPB-M42	M42 x 4.5-6g	63	26	108	65	93	85	100.5	230.5	350-800
LPB-M48	M48 x 5.0-6g	68	26	108	65	93	85	100.5	230.5	350-800
LPB-M56	M56 x 5.5-6g	84	32	120	70	105	95	132	278	350-900
LPB-M64	M64 x 6.0-6g	95	32	120	70	105	95	132	278	500-1000

Belastningstabell LPB

Temperaturintervall -40° upp till +200°C utan reduktion av max last (WLL). Notera: Produkten är märkt med den lägsta max lasten i belastningstabellen. Vid vertikala (raka) lyft i bultens mittlinje, så är den tillåtna max lasten högre än den generella, som är märkt på lyftöglan.

Belastning									
	0	90	0	90	0-45	45-60	0-45	45-60	Asymmetrisk
Lastfaktor	1		2		1.4	1	2.1	1.5	1
Modell	Max last / WLL (t)								
LPB-M8	0.6	0.4	1.2	0.8	0.6	0.4	0.8	0.6	0.4
LPB-M10	0.9	0.6	1.8	1.2	0.8	0.6	1.3	0.9	0.6
LPB-M12	1.2	0.7	2.4	1.4	1.0	0.7	1.5	1.1	0.7
LPB-M16	2.6	1.5	5.2	3	2.1	1.5	3.2	2.3	1.5
LPB-M20	4	2.5	8	5	3.5	2.5	5.3	3.8	2.5
LPB-M24	7	4	14	8	5.6	4	8.4	6	4
LPB-M30	10	6	20	12	8.4	6	12.6	9	6
LPB-M36	15	10	30	20	14	10	21	15	10
LPB-M42	17	13	34	26	18.2	13	27.3	19.5	13
LPB-M48	18	14	36	28	19.6	14	29.4	21	14
LPB-M56	28	20	56	4	28	20	42	30	20
LPB-M64	28	20	56	40	28	20	42	30	20

VARNING

Arbetet med lyftredskap och lyftutrustning måste planeras, organiseras och utföras på ett sådant sätt att farliga situationer förhindras. I enlighet med nationella lagstadgade föreskrifter får lyftredskap och lyftutrustning endast användas av någon som är väl förtrogen med arbetet och har teoretisk och praktisk kunskap kring säker användning. Innan utrustningen används måste bruksanvisningen läsas. Den innehåller viktig information om hur redskapet fungerar, samt hur den ska brukas på ett säkert och korrekt sätt. Att inte följa denna instruktionerna i denna bruksanvisning kan leda till allvarliga konsekvenser. Förutom bruksanvisningen så hänvisar vi till befintliga nationella föreskrifter som kan ha högre validitet än dessa instruktioner.

Allmän beskrivning

POWERTEX LPB lyftöglor är avsedda att monteras direkt på lasten för att lyfta den eller användas som delar i ett lyftarrangemang såsom spridare, lyftok etc. LPB har en kullagrad svängmekanism som möjliggör rotation även under belastning. POWERTEX LPB lyftöglor uppfyller alla relevanta krav i maskindirektivet 2006/42/EG och dess senaste ändringar.

Användning i ogynnsamma miljöer

Temperaturens effekt på max lasten (WLL): Hänsyn bör tas till den temperatur som kan uppnås under användning. POWERTEX LPB lyftöglor kan användas vid temperaturer mellan -40°C upp till +200°C utan reduktion av max last.

Sur miljö: Höghållfasta lyftkomponenter bör inte användas nedsänkta i sura lösningar eller utsatta för sura ångor. Av samma anledning får de inte heller varmförzinkas eller utsättas för elektrolytisk ytbehandling utan tillstånd från tillverkaren.

Kemisk påverkan: Rådgor med din distributör om produkterna kommer att utsättas för kemikalier, särskilt i kombination med höga temperaturer.

Farliga förhållanden: Under särskilt farliga förhållanden, inklusive offshoreaktiviteter, lyft av personer och lyft av potentiellt farliga laster såsom smälta metaller, korrosiva material eller klyvbara material, bör farans grad bedömas av en kompetent person och arbetsbelastningsgränsen justeras därefter.

Temperaturområde för användning

-40°C upp till +200°C utan reduktion av WLL

+200°C upp till +300°C tillåtet med 10% reduktion av WLL

+300°C upp till +400°C tillåtet med 25% reduktion av WLL

Märkning

POWERTEX LPB lyftöglor är generellt märkta med:

- Max last (WLL) t.ex. WLL 0,4t
- Tillverkarens symbol – t.ex. POWERTEX eller PX.
- Modellnamn och Storlek – t.ex. LPB-M8
- Spårbarhetskod – t.ex. F2 (som anger en specifik batch).
- Konformitetsmärkning CE + UKCA

Material och ytbehandling

POWERTEX LPB lyftöglor är smidda av höghållfast legerat stål och delarna är pulverlackerade med elektrostatisk metod. Svetsade länkar är provbelastade med 2,5 x WLL. Andra lastbärande delar är testade med sprickdetektering.

Val

Vid val av lyftögla, välj med avseende gängstorlek och max last det som passar bäst för Er applikation. I fall av extrema förhållanden, vibrationer eller stötar kan förekomma vid arbetsmomentet, så måste detta tas med i beaktningen vid val av lyftögla.

Innan första användning

Kontrollera att de levererade lyftöglorna överensstämmer med Er beställning och att certifikat, samt EG-Försäkran om Överensstämmelse finns tillgänglig. För ett register över alla Era lyftredskap och se till att de regelbundet kontrolleras, så att de är lämpliga för användning.

Montering och användning

Om någon av dessa kontrollpunkter inte uppfylls ska lyftögla inte användas:

- Kontrollera att alla märkningar är läsbara.
- Kontrollera att det inte finns några defekter såsom: Slitage, deformation, snitt, hack, märken, sprickor, korrosion eller andra synliga defekter som kan påverka säkerheten.

Kontrollera att max lasten (WLL) för lyftögla är tillräcklig för den last som ska lyftas, se WLL-tabell. Lyftögla ska skruvas fast ordentligt mot konstruktionen eller lasten med en momentnyckel. Om det finns risk för vibrationer etc. bör man överväga gänglåsningsslim eller andra säkringsmetoder. Kontrollera efter montering att kroppen på lyftögla kan rotera och att ögla kan röra sig fritt utan hinder i de avsedda användningsvinklarna. Gängade hål måste vara tillräckligt djupa för att tillåta att botten av lyftöglans kropp ligger dikt an mot underlaget. Det gängade hålet måste göras vinkelrätt mot kontaktytan och kontaktytan måste vara plan och dimensionerad för att passa lyftögla.

Rekommenderade minimigänglängder för olika material i förhållande till metrisk gängdiameter:

- 1 x M för stål
- 1,25 x M för gjutjärn
- 2 x M för aluminiumlegeringar
- 2,5 x M för aluminium-magnesiumlegeringar

När lyftögla är monterad, positionera länken så att den kan kopplas direkt till kranen eller till mellankopplad lyftutrustning för att utföra lyftoperationen.

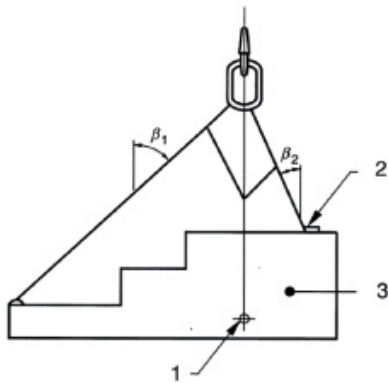
Säkerhet vid lyft

Max lasten för lyftredskapet får aldrig överskridas. Händer och andra delar av kroppen ska hållas borta för att förhindra skador när man förspänner redskapet innan lyftet. Lasten bör lyftas utan stötar och en kontroll görs att den är säker och antar den avsedda positionen. Lyftpersonalen måste vara medveten om riskerna med svängande och obalanserade laster. Låt aldrig personer eller kroppsdelar befinna sig under hängande last. Tillåt inte att personer åker på lasten medan den lyfts. Avlastningsytan bör vara väl förberedd. Det bör säkerställas att marken eller golvet har tillräcklig styrka för att bära lasten. Det bör också säkerställas att avlastningsytan är tillgänglig och att den är fri från onödiga hinder och människor. Lasten bör ställas ned försiktigt och det måste säkerställas att kroppsdelar hålls utan. Säkerställ lastens stabilitet när den har ställts ned innan lyftredskapen kopplas bort.

Tyngdpunkt

För att undvika svängning eller rotation av lasten är det viktigt att positionera lyftpunkterna symmetriskt ovanför lastens tyngdpunkt:

- För en 1-punkts lyft ska fästpunkten ordnas vertikalt ovanför tyngdpunkten.
- För en 2-punkts lyft ska fästpunkterna ordnas på varje sida om och ovanför tyngdpunkten.
- För en 3- och 4-punkts lyft ska fästpunkterna ordnas symmetriskt i ett plan runt och ovanför tyngdpunkten. Det är att föredra att fördelningen är jämn och att fästpunkterna är ovanför tyngdpunkten.



1. tyngdpunkt
2. hög spänning i detta ben
3. belastning P

Lastsymmetri

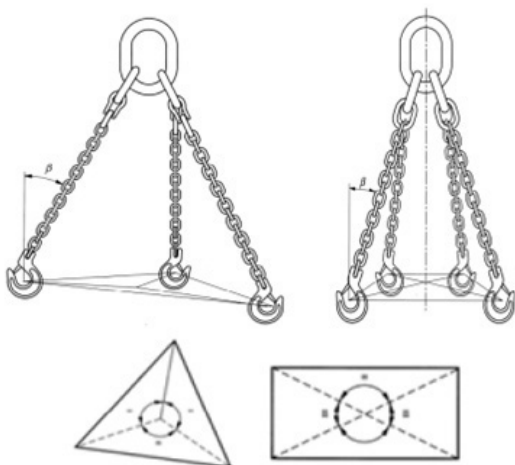
Max lasten (WLL) för de olika konfigurationerna är baserat på att belastningen är symmetrisk. Detta innebär att när lasten lyfts så är lyftöglorna symmetriskt placerade i ett plan och bildar samma vinklar mot vertikalen.

I fallet med 2-, 3- och 4-partiga lyftredskap, om benen bildar olika vinklar mot vertikalen, så kommer den största spänningen att vara i parten med den minsta vinkeln mot vertikalen. I det extrema fallet att en part skulle vara vertikal, så skulle den bära hela lasten.

Belastningen kan antas vara symmetrisk om alla följande villkor är uppfyllda och lasten är mindre än 80% av markerad max last (WLL):

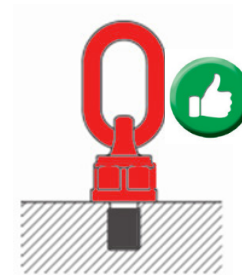
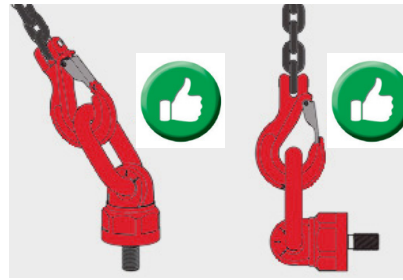
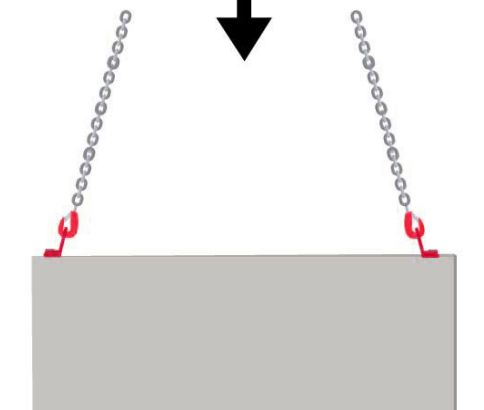
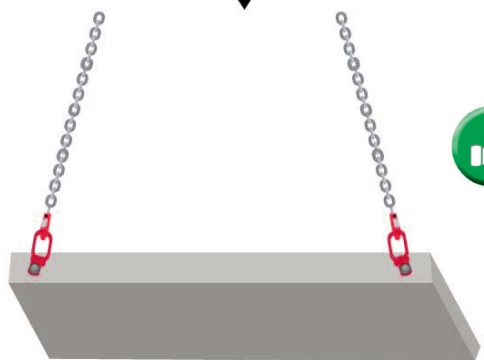
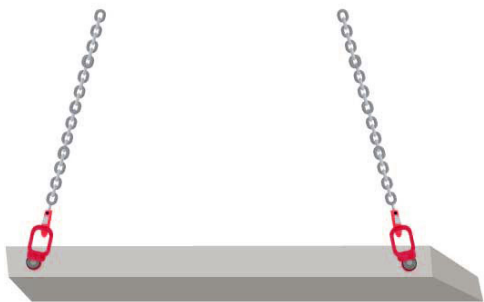
- vinklarna på lyftredskapets parter mot vertikalen är alla inte mindre än 15°; och
- vinklarna på lyftredskapets parter mot vertikalen är alla inom 15° från varandra; och
- i fallet med tre- och fyrbeniga lyftredskap är planvinklarna inom 15° från varandra.

Om inte alla ovanstående parametrar är uppfyllda, bör belastningen anses vara asymmetrisk, och lyftet bör hänvisas till en kompetent person för att fastställa den säkra klassificeringen. Alternativt, i fallet med asymmetrisk belastning, bör max lasten för lyftredskapet reduceras till hälften av den markerade max lasten (WLL).



Lastningssymmetri

TILLÅTEN, respektive FÖRBJUDEN användning



Förvaring av lyftpunkter

När lyftöglorna inte används bör de förvaras på en korrekt utformad plats. De bör inte lämnas liggande på marken där de kan skadas. Om det är troligt att produkterna inte kommer att användas på ett tag, bör de rengöras, torkas och skyddas mot korrosion, till exempel lätt inoljade.

Tillsyn och underhåll

Daglig tillsyn

Under användning utsätts lyftöglorna för förhållanden som kan påverka dess säkerhet. Det är därför nödvändigt att dagligen kontrollera och säkerställa att lyftöglorna är säkra för fortsatt användning. Lyftöglorna ska tas ur bruk och hänvisas till en kompetent person för noggrann undersökning om något av följande observeras före varje användning:

- Om märkningen är oläsliga.
- Om det förekommer defekter såsom slitage, deformationer, snitt, hack, märken, sprickor, korrosion eller andra synliga defekter som kan påverka fortsatt säker användning av lyftöglan.
- Att lyftöglans kropp kan svivla (rotera fritt kring sin axel) och att öglan kan röra sig fritt.
- Att max lasten (WLL) för lyftöglan är tillräcklig för den last som ska lyftas.
- Att lyftöglan är fastskruvad dikt an mot underlaget.

Fortlöpande tillsyn

Fortlöpande tillsyn bör utföras av en kompetent person med intervaller som inte överstiger tolv månader. Detta intervall bör vara kortare om det anses nödvändigt med hänsyn till användningsförhållandena. Uppgifter om sådana undersökningar bör förvaras.

Produkterna bör rengöras noggrant för att vara fria från olja, smuts och rost före undersökningen. Alla rengöringsmetoder som inte skadar metallen är acceptabla. Metoder att undvika är de som använder syror, överhettning, borttagning av metall eller förflyttning av metall som kan täcka över sprickor eller ytfel.

Tillräcklig belysning bör tillhandahållas för att upptäcka tecken på slitage, deformation eller yttre skador.

Komponenter som är slitna, deformerade, spruckna, synligt förvrängda, svårt korroderade eller har avlagringar som inte kan avlägsnas bör kasseras och ersättas. Mindre skador som hack och skårer kan avlägsnas genom försiktig slipning eller filning. Ytan bör smidigt övergå i det intilliggande materialet utan abrupta sektionförändringar. Fullständig borttagning av skadan bör inte minska sektionens tjocklek vid den punkten till mindre än tillverkarens angivna minimimått eller med mer än 10% av sektionens nominella tjocklek. Kontrollera skick på den gängade bulten. Kontrollera att kullagrad svängmekanism kan rotera lätt och inte glappar.

Reparation: Använd endast originalreservdelar.

Kassering

Lyftöglorna ska sorteras / skrotas som allmänt stålskrot.

Ansvarsfriskrivning

Vi förbehåller oss rätten att ändra produktdesign, material, specifikationer eller instruktioner utan föregående meddelande och utan skyldighet gentemot andra om produkten ändras.

EU-försäkran om överensstämmelse

SCM Citra OY

Asessorinkatu 3-7

20780 Kaarina, Finland

www.powertex-products.com

förklarar härmed att POWERTEX produkten som beskrivs ovan överensstämmer med Maskindirektivet 2006/42/EG.

Märkning

POWERTEX LPB lyftöglor är **CE-** och **UKCA-**märkta.



Bruksanvisningar

Du kan alltid hitta de giltiga och uppdaterade bruksanvisningen på webben. Bruksanvisningen uppdateras kontinuerligt och är endast giltig i den senaste versionen.

OBS! Den engelska versionen är originalinstruktionen.

Bruksanvisningen finns tillgänglig för nedladdning under följande länk:
www.powertex-products.com/manuals

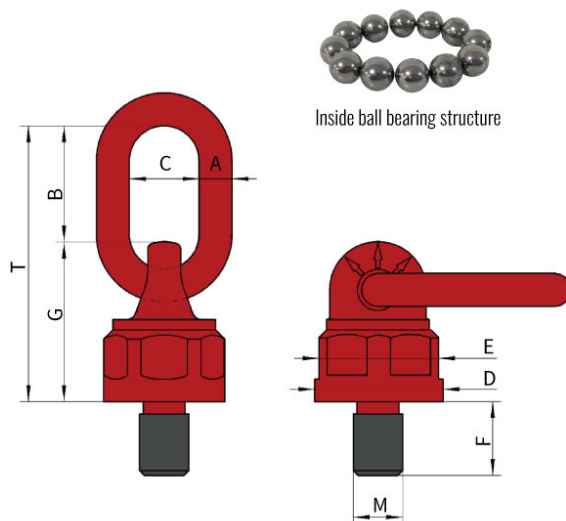


Produktöverensstämmelse och konformitet

SCM Citra OY
Asessorinkatu 3-7
20780 Kaarina, Finland
Finland
www.powertex-products.com

POWERTEX Løftepunkt med kulelagerkobling LPB Bruksanvisning (NO)

Data og dimensjoner for POWERTEX LPB



DIMENSJONER & TILTREKNINGSMOMENT

Modell	Gjenge M (mm)	F (mm)	A (mm)	B (mm)	C (mm)	D (mm)	E (mm)	G (mm)	T Nm	Tiltrekningsmoment Nm
LPB-M8	M8 x 1.25-6g	12	12	44	30	40	37	46	98	10-40
LPB-M10	M10 x 1.5-6g	19	12	44	30	40	37	46	98	10-40
LPB-M12	M12 x 1.75-6g	19	12	44	30	40	37	46	98	15-40
LPB-M16	M16 x 2.0-6g	31.8	12	44	30	40	37	46	98	45-130
LPB-M20	M20 x 2.5-6g	38.1	20	67	40	70	64.3	76	160	100-170
LPB-M24	M24 x 3.0-6g	38.1	20	67	40	70	64.3	76	160	190-280
LPB-M30	M30 x 3.5-6g	50	22	95	51	79	74	91	206	270-600
LPB-M36	M36 x 4.0-6g	54	22	95	51	79	74	91	206	270-600
LPB-M42	M42 x 4.5-6g	63	26	108	65	93	85	100.5	230.5	350-800
LPB-M48	M48 x 5.0-6g	68	26	108	65	93	85	100.5	230.5	350-800
LPB-M56	M56 x 5.5-6g	84	32	120	70	105	95	132	278	350-900
LPB-M64	M64 x 6.0-6g	95	32	120	70	105	95	132	278	500-1000

Løftetabell LPB

Arbeidstemperatur -40 °C opp til +200 °C uten reduksjon av WLL.

Merk: Produktet er merket med den laveste WLL fra diagrammet. Ved vertikal belastning i senter på bolten er det tillatt med høyere belastning enn WLL-merkingen.

Laster									
Arbeidsvinkel	0	90	0	90	0-45	45-60	0-45	45-60	Asymmetrisk
Faktor		1		2	1.4	1	2.1	1.5	1
Modell	Maksimal arbeidsbelastning (WLL) (t)								
LPB-M8	0.6	0.4	1.2	0.8	0.6	0.4	0.8	0.6	0.4
LPB-M10	0.9	0.6	1.8	1.2	0.8	0.6	1.3	0.9	0.6
LPB-M12	1.2	0.7	2.4	1.4	1.0	0.7	1.5	1.1	0.7
LPB-M16	2.6	1.5	5.2	3	2.1	1.5	3.2	2.3	1.5
LPB-M20	4	2.5	8	5	3.5	2.5	5.3	3.8	2.5
LPB-M24	7	4	14	8	5.6	4	8.4	6	4
LPB-M30	10	6	20	12	8.4	6	12.6	9	6
LPB-M36	15	10	30	20	14	10	21	15	10
LPB-M42	17	13	34	26	18.2	13	27.3	19.5	13
LPB-M48	18	14	36	28	19.6	14	29.4	21	14
LPB-M56	28	20	56	4	28	20	42	30	20
LPB-M64	28	20	56	40	28	20	42	30	20

ADVARSEL

Arbeid med løfteutstyr og -utstyr må planlegges, organiseres og utføres for å forhindre farlige situasjoner. I samsvar med nasjonale lovbestemmelser, må løfteutstyr og -utstyr kun brukes av noen som er godt kjent med arbeidet og har teoretisk og praktisk kunnskap om sikker bruk. Før utstyret brukes, må bruksanvisningen leses. Den inneholder viktig informasjon om hvordan utstyret vil fungere på en sikker og korrekt måte. Å ikke følge forskriftene i denne instruksjonen kan føre til alvorlige konsekvenser som risiko for skade. I tillegg til bruksanvisningen henviser vi til eksisterende nasjonale forskrifter som kan overstyre disse instruksjonene

Generell beskrivelse

Powertex LPB løftepunkter er ment å brukes som løfteutstyr som skal monteres direkte på lasten for å løfte den eller brukes som deler av en løfteforsamling som løftebjelke, løftestropp osv. LPB har en kulelagerdreie som også tillater rotasjon under belastning. Powertex LPB løftepunkter oppfyller alle relevante krav i maskindirektivet 2006/42/EF og dets siste endringer.

Bruk i ugunstige miljøer

Temperaturens effekt på arbeidsbelastningsgrensen (WLL): Det bør tas hensyn til temperaturen som kan oppnås i tjeneste. Powertex LPB løftepunkter kan brukes ved temperaturer mellom -40°C og +200°C uten reduksjon av arbeidsbelastningsgrensene.

Sure forhold: Høyfast løftekomponenter bør ikke brukes enten nedsenket i sure løsninger eller utsatt for sure damper. Av samme grunn må de ikke varmforsinkes eller utsettes for elektrolytisk etterbehandling uten tillatelse fra produsenten.

Kjemisk påvirkning: Rådfrø deg med distributøren din i tilfelle produktene skal utsettes for kjemikalier, spesielt i kombinasjon med høye temperaturer. Farlige forhold: Under spesielt farlige forhold, inkludert offshore-aktiviteter, løfting av en person og løfting av potensielt farlige laster som smeltede metaller, korrosive materialer eller spaltbare materialer, bør faregraden vurderes av en kompetent person og arbeidsbelastningsgrensen justeres tilsvarende.

Brukstemperaturområde

-40 opp til +200°C uten reduksjon i WLL

+200 opp til +300°C tillatt med 10% reduksjon i WLL

+300 opp til +400°C tillatt med 25% reduksjon i WLL

Merkning

Powertex LPB løftepunkter er generelt merket med:

- Arbeidsbelastningsgrense (WLL) f.eks. WLL 0,4t
- Produsentens symbol f.eks. POWERTEX eller PX.
- Modellnavn – Størrelse f.eks. LPB-M8
- Sporbarhetskode f.eks. F2 (som indikerer et bestemt parti).
- Konformitetsmerker CE + UKCA

Materiale og finish

Powertex LPB løftepunkter er smidd av høyfast legeringsstål og deler er elektrostatisk pulverlakkert. Sveisede lenker er belastningstestet 2,5 x WLL. Andre lastbærende deler er testet for sprekke-deteksjon.

Valg

Velg type løftepunkt, gjengestørrelse og arbeidsbelastningsgrense som passer for den spesifikke applikasjonen. Hvis ekstreme forhold, vibrasjoner eller støtbelastning kan forekomme, må dette tas godt i betraktning ved valg av riktig løftepunkt.

Før første bruk

Sørg for at de leverte løftepunktene samsvarer med bestillingen og at sertifikat og samsvarserklæring er tilgjengelig. Før en register over alt løfteutstyr og sørg for at de regelmessig sjekkes for å være egnet for bruk.

Montering og bruk

Hvis noen av disse kontrollpunktene ikke er oppfylt, bør løftepunktet ikke brukes:

- Sjekk at alle merkinger er lesbare.
- Sjekk at det ikke er noen defekter som slitasje, deformasjon, kutt, nicks, målere, sprekker, korrosjon eller andre synlige defekter som kan påvirke sikkerheten.

Sørg for at WLL for løftepunktet er tilstrekkelig for lasten som skal løftes, se WLL-diagrammet. Løftepunktet skal skrus godt fast til strukturen eller lasten ved hjelp av en momentnøkkel. Hvis det er risiko for vibrasjoner osv., bør man vurdere Loctite eller andre sikringsmidler. Sørg etter montering for at løftepunktet kan rotere og svinge fritt uten hindringer i de tiltenkte bruksvinklene. Gjengede hull må være dype nok til å tillate at bunnen av løftepunktet støttes av kontaktoverflaten. Det gjengede hullet må lages vinkelrett på kontaktoverflaten, og kontaktoverflaten må være plan og dimensjonert for å romme løftepunktet.

Anbefalte minimumsgjengelengder for forskjellige materialer i forhold til metrisk gjengediameter:

- 1 x M for stål
- 1,25 x M for støpejern
- 2 x M for aluminiumslegeringer
- 2,5 x M for aluminium-magnesiumlegeringer

Når den er montert, posisjoner koblingen slik at den kan kobles direkte til løftemaskinen eller til mellomliggende løfteutstyr for å utføre løfteoperasjonen.

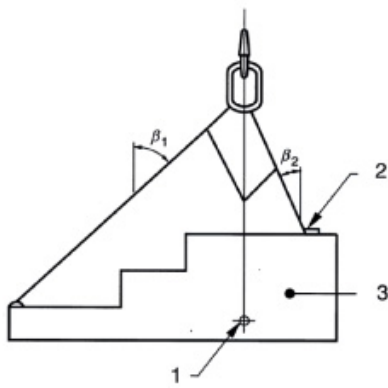
Sikkerhet ved løfting

Arbeidsbelastningsgrensen for løfteutstyret må aldri overskrides. Hender og andre kroppsdelene skal holdes unna for å forhindre skade når slakken tas opp. Lasten skal løftes litt uten sjokk, og det skal sjekkes at den er sikker og antar den tiltenkte posisjonen. Løftepersonell må være klar over risikoen for svingende og vippende laster. Aldri tillat personer eller kroppsdelene under hengende last. Ikke tillat personer å ri på lasten mens lasten løftes. Landingsstedet skal være godt forberedt. Det skal sikres at bakken eller gulvet har tilstrekkelig styrke til å ta lasten. Det skal også sikres at det er tilstrekkelig tilgang til landingsstedet og at det er klart for eventuelle unødvendige hindringer og mennesker. Lasten skal landes forsiktig og sikre at kroppsdelene holdes klare. Sørg for lastens stabilitet når den har landet før du fjerner løfteutstyret.

Tyngdepunkt

For å unngå svingning eller rotasjon av lasten, er det viktig å posisjonere løftepunktene symmetrisk over lastens tyngdepunkt:

- For en 1-punkts løft skal festepunktet ordnes vertikalt over tyngdepunktet.
- For en 2-punkts løft skal festepunktene ordnes på hver side av og over tyngdepunktet.
- For en 3- og 4-punkts løft skal festepunktene ordnes symmetrisk i et plan rundt og over tyngdepunktet. Det er å foretrekke at fordelingen er lik og at festepunktene er over tyngdepunktet.



1. tyngdepunkt
2. høy spænding i dette ben
3. belastning P

Lastsymmetri

Lastsymmetri

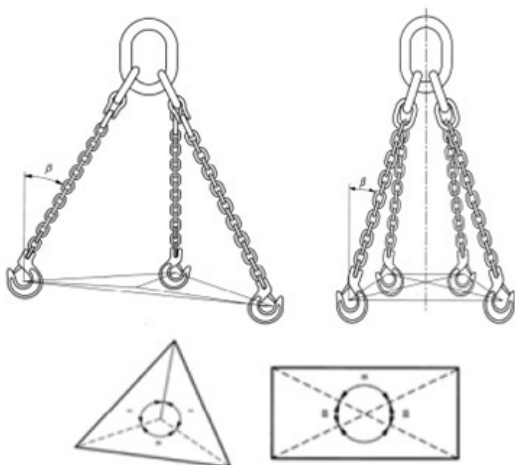
Arbeidsbelastningsgrensene (WLL) for de forskjellige konfigurasjonene er fastsatt på grunnlag av at belastningen er symmetrisk. Dette betyr at når lasten løftes, er løftepunktene symmetrisk plassert i et plan og utgjør de samme vinklene til det vertikale.

I tilfelle av 2-, 3- og 4-bens kjedestroppe, hvis bena utgjør forskjellige vinkler til det vertikale, vil den største spenningen være i benet med den minste vinkelen til det vertikale. I det ekstreme tilfellet, hvis ett ben er vertikalt, vil det bære hele lasten.

Belastningen kan antas å være symmetrisk hvis alle følgende forhold er oppfylt, og lasten er mindre enn 80% av merket WLL:

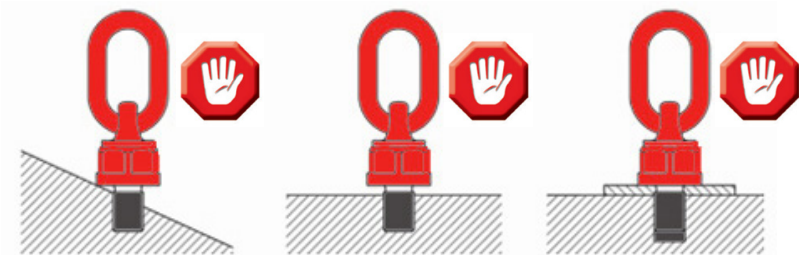
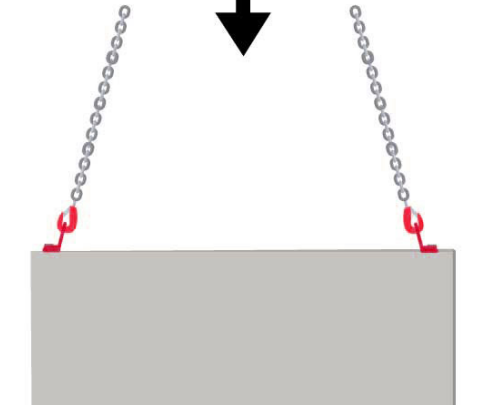
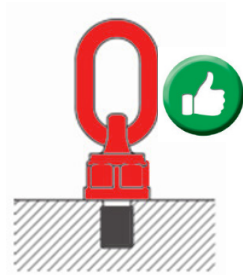
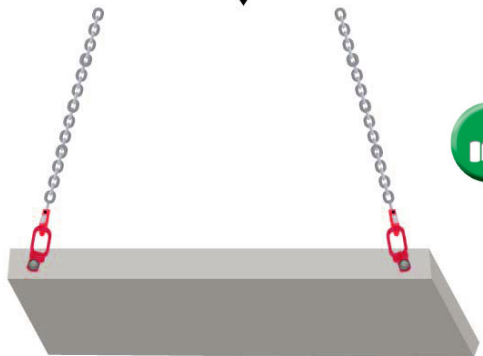
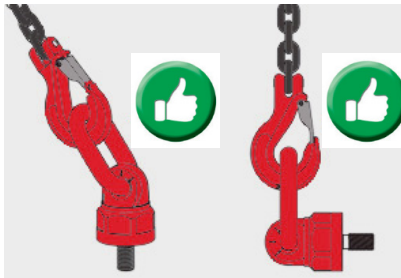
- vinklene på kjedestroppens ben til det vertikale er alle ikke mindre enn 15° ; og
- vinklene på kjedestroppens ben til det vertikale er alle innenfor 15° til hverandre; og
- i tilfelle av tre- og firebens kjedestroppe, er planvinklene innenfor 15° av hverandre.

Hvis ikke alle ovennevnte parametere er oppfylt, bør belastningen anses som asymmetrisk, og løftet bør henvises til en kompetent person for å fastsette den sikre vurderingen. Alternativt, i tilfelle av asymmetrisk belastning, bør kjedestroppen vurderes til halvparten av den merkede WLL.



Symmetri av belastning

Tillatt bruk / Forbudt bruk



Lagring av løftepunkter

Når de ikke er i bruk, bør løftepunkter normalt oppbevares på et riktig utformet stativ. De bør ikke etterlates liggende på bakken hvor de kan bli skadet. Hvis det er sannsynlig at produktene vil være ute av bruk en stund, bør de rengjøres, tørkes og beskyttes mot korrosjon, f.eks. lett oljet.

Inspeksjon og vedlikehold

Daglig inspeksjon

Under tjeneste utsettes løftepunktene for forhold som kan påvirke deres sikkerhet. Det er derfor nødvendig å daglig sjekke og sikre at løftepunktene er trygge for fortsatt bruk. Løftepunktet skal trekkes ut av tjeneste og henvises til en kompetent person for grundig undersøkelse hvis noen av følgende observeres før hver bruk:

- Sjekk at alle merkinger er lesbare.
- Sjekk at det ikke er noen defekter som slitasje, deformasjon, kutt, nicks, målere, sprekker, korrosjon eller andre synlige defekter som kan påvirke sikkerheten.
- Sjekk at kulelagerkoblingen kan rotere lett og ikke har for mye spill.
- Sørg for at WLL for løftepunktet er tilstrekkelig for lasten som skal løftes.
- Sørg for at løftepunktet er skrudd godt fast til strukturen og at løftepunktet kan rotere og svinge fritt uten hindringer i bruksvinklene.

Grundig undersøkelse

En grundig undersøkelse bør utføres av en kompetent person med intervaller som ikke overstiger tolv måneder. Dette intervallet bør være kortere hvis det anses nødvendig i lys av tjenesteforholdene. Poster over slike undersøkelser bør opprettholdes.

Produktene bør rengjøres grundig for å være fri for olje, smuss og rust før undersøkelsen. Enhver rengjøringsmetode som ikke skader modermetallet er akseptabel. Metoder å unngå er de som bruker syrer, overoppheting, fjerning av metall eller bevegelse av metall som kan dekke over sprekker eller overflatedefekter.

Tilstrekkelig belysning bør tilveiebringes for å oppdage tegn på slitasje, forvrengning eller ekstern skade.

Komponenter som er slitte, deformerte, sprukket, synlig forvrengt, alvorlig korrodert eller har avleiringer som ikke kan fjernes, bør kasseres og erstattes. Mindre skader som nicks og gouges kan fjernes ved forsiktig sliping eller filing. Overflaten bør glatt blande seg inn i det tilstøtende materialet uten brå endring av seksjonen. Fullstendig fjerning av skaden bør ikke redusere tykkelsen på seksjonen på det punktet til mindre enn produsentens spesifiserte minimumsdimensjoner eller med mer enn 10% av seksjonens nominelle tykkelse. Sjekk tilstanden til den gjengede bolten. Sjekk at kulelagerkoblingen kan rotere lett og ikke har for mye spill.

Reparasjon: Bruk kun originale reservedeler.

Slutt på bruk / Kassering

Løftepunktene skal sorteres / skrotes som generelt stålskrap.

Ansvarsfraskrivelse

Vi forbeholder oss retten til å endre produktdesign, materialer, spesifikasjoner eller instruksjoner uten forvarsel og uten forpliktelse overfor andre. Hvis produktet endres på noen måte, eller hvis det kombineres med et ikke-kompatibelt produkt/komponent, tar vi ikke ansvar for konsekvensene angående produktets sikkerhet.

EC-samsvarserklæring

SCM Citra OY Asessorinkatu 3-7

20780 Kaarina, Finland www.powertex-products.com

erklærer herved at Powertex-produktet som beskrevet ovenfor er i samsvar med EC Machinery Directive 2006/42/EC.

Merkning

POWERTEX løftepunkter LPB er merket **CE** og **UKCA**.



Brukerhåndbøker

Du kan alltid finne de gyldige og oppdaterte brukerhåndbøkene på nettet. Håndboken oppdateres kontinuerlig og er kun gyldig i den nyeste versjonen.

NB! Den engelske versjonen er originalinstruksjonen.

Håndboken er tilgjengelig for nedlasting under følgende lenke:
www.powertex-products.com/manuals



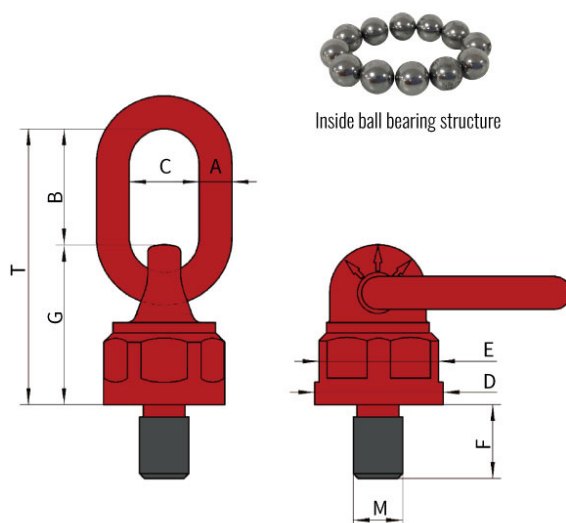
Produktoverensstemmelse og konformitet



SCM Citra OY Asessorinkatu 3-7
20780 Kaarina, Finland Finland
www.powertex-products.com

POWERTEX Svirveløjebolt med kuglelejeled LPB Brugsanvisning (DK)

Data og dimensioner for POWERTEX LPB



DIMENSIONER & MOMENT

Model	Gevind M (mm)	F (mm)	A (mm)	B (mm)	C (mm)	D (mm)	E (mm)	G (mm)	T Nm	Moment Nm
LPB-M8	M8 x 1.25-6g	12	12	44	30	40	37	46	98	10-40
LPB-M10	M10 x 1.5-6g	19	12	44	30	40	37	46	98	10-40
LPB-M12	M12 x 1.75-6g	19	12	44	30	40	37	46	98	15-40
LPB-M16	M16 x 2.0-6g	31.8	12	44	30	40	37	46	98	45-130
LPB-M20	M20 x 2.5-6g	38.1	20	67	40	70	64.3	76	160	100-170
LPB-M24	M24 x 3.0-6g	38.1	20	67	40	70	64.3	76	160	190-280
LPB-M30	M30 x 3.5-6g	50	22	95	51	79	74	91	206	270-600
LPB-M36	M36 x 4.0-6g	54	22	95	51	79	74	91	206	270-600
LPB-M42	M42 x 4.5-6g	63	26	108	65	93	85	100.5	230.5	350-800
LPB-M48	M48 x 5.0-6g	68	26	108	65	93	85	100.5	230.5	350-800
LPB-M56	M56 x 5.5-6g	84	32	120	70	105	95	132	278	350-900
LPB-M64	M64 x 6.0-6g	95	32	120	70	105	95	132	278	500-1000

Belastningsdiagram LPB

Arbejdstemperatur -40° op til +200°C uden reduktion af WLL.

Bemærk: Produktet er mærket med den laveste WLL fra diagrammet. Ved direkte lodret løft i boltens centrumlinje er det tilladt, at WLL er højere end den generelt markerede WLL.

Løftemetode									
Hældningsvinkel	0	90	0	90	0-45	45-60	0-45	45-60	Asymmetrisk
Lastfaktor	1	1	2	2	1.4	1	2.1	1.5	1
Model	Arbejdsbelastningsgrænse WLL (t)								
LPB-M8	0.6	0.4	1.2	0.8	0.6	0.4	0.8	0.6	0.4
LPB-M10	0.9	0.6	1.8	1.2	0.8	0.6	1.3	0.9	0.6
LPB-M12	1.2	0.7	2.4	1.4	1.0	0.7	1.5	1.1	0.7
LPB-M16	2.6	1.5	5.2	3	2.1	1.5	3.2	2.3	1.5
LPB-M20	4	2.5	8	5	3.5	2.5	5.3	3.8	2.5
LPB-M24	7	4	14	8	5.6	4	8.4	6	4
LPB-M30	10	6	20	12	8.4	6	12.6	9	6
LPB-M36	15	10	30	20	14	10	21	15	10
LPB-M42	17	13	34	26	18.2	13	27.3	19.5	13
LPB-M48	18	14	36	28	19.6	14	29.4	21	14
LPB-M56	28	20	56	4	28	20	42	30	20
LPB-M64	28	20	56	40	28	20	42	30	20

ADVARSEL

Arbejdet med løfteudstyr og -apparater skal planlægges, organiseres og udføres for at forhindre farlige situationer. I overensstemmelse med nationale lovkrav må løfteudstyr og -apparater kun anvendes af personer, der er godt bekendt med arbejdet og har teoretisk og praktisk viden om sikker brug. Før udstyret tages i brug, skal brugsanvisningen læses. Den indeholder vigtige oplysninger om, hvordan udstyret fungerer på en sikker og korrekt måde. Manglende overholdelse af denne instruktions forskrifter kan medføre alvorlige konsekvenser såsom risiko for skader. Ud over brugsanvisningen henviser vi til eksisterende nationale forskrifter, der kan tilsidesætte disse instruktioner.

Generel beskrivelse

POWERTEX LPB svirveløjebolte er beregnet til at blive brugt som løfteudstyr, der monteres direkte på lasten for at løfte den, eller som dele af en løftekonstruktion som løfteåg, løftestropper osv. LPB har et kuglelejeled, der også tillader rotation under belastning. POWERTEX LPB svirveløjebolte opfylder alle relevante krav i Maskindirektivet 2006/42/EF og dets seneste ændringer.

Brug i ugunstige miljøer

Temperaturens effekt på arbejdsbelastningsgrænsen (WLL): Der skal tages højde for den temperatur, der kan opnås under brug. POWERTEX LPB svirveløjebolte kan anvendes ved temperaturer mellem -40°C og +200°C uden reduktion af arbejdsbelastningsgrænserne.

Sure forhold: Højstyrke løftekomponenter bør ikke anvendes nedsænket i sure opløsninger eller udsat for sure dampe. Af samme årsag må de ikke varmgalvaniseres eller udsættes for elektrolytisk efterbehandling uden tilladelse fra producenten.

Kemiske påvirkninger: Konsulter din distributør, hvis produkterne skal udsættes for kemikalier, især i kombination med høje temperaturer. Farlige forhold: I særligt farligt forhold, herunder offshore-aktiviteter, løft af personer og løft af potentielt farlige laster såsom smeltede metaller, korrosive materialer eller spaltelige materialer, bør faregraden vurderes af en kompetent person, og arbejdsbelastningsgrænsen justeres derefter.

Brugstemperaturområde

- 40 op til +200°C uden reduktion i WLL
- + 200 op til +300°C tilladt med 10% reduktion i WLL
- + 300 op til +400°C tilladt med 25% reduktion i WLL

Mærkning

POWERTEX LPB svirveløjebolte er generelt mærket med:

- Arbejdsbelastningsgrænse (WLL) f.eks. WLL 0,4t
- Producentens symbol f.eks. POWERTEX eller PX.
- Modelnavn – Størrelse f.eks. LPB-M8
- Sporbarhedskode f.eks. F2 (der angiver et bestemt parti).
- Overensstemmelsesmærker CE + UKCA

Materiale og finish

POWERTEX LPB svirveløjebolte er smedet af højstyrkelegeret stål og dele er elektrostatisk pulverlakeret. Svejste led er belastningstestet 2,5 x WLL. Andre bærende dele er revnedetekteringstestet.

Valg

Vælg type svirveløjebolt, gevindstørrelse og arbejdsbelastningsgrænse, der er egnet til den specifikke anvendelse. Hvis der kan forekomme ekstreme forhold, vibrationer eller støddlast, skal dette tages i betragtning ved valg af det korrekte løftepunkt.

Før første brug

Sørg for, at de leverede svirveløjebolte svarer til ordren, og at certifikat og overensstemmelseserklæring er tilgængelig. Før en registrering af alt løfteudstyr og sørg for, at de regelmæssigt kontrolleres for at være egnede til brug.

Før ibrugtagning

Hvis nogen af disse kontrolpunkter ikke er opfyldt, bør svirveløjebolten ikke anvendes:

- Kontroller, at alle mærkninger er læselige.
- Kontroller, at der ikke er nogen defekter såsom slid, deformation, snit, hakker, revner, korrosion eller andre synlige defekter, der kan påvirke sikkerheden.

Sørg for, at WLL for svirveløjebolten er tilstrækkeligt for den last, der skal løftes, se WLL-diagrammet. Svirveløjebolten skal skrues fast til strukturen eller lasten ved hjælp af en momentnøgle. Hvis der er risiko for vibrationer osv., bør man overveje Loctite eller andre sikringsmidler. Sørg efter montering for, at løftepunktet kan rotere og vippe frit uden hindringer i de tiltænkte brugsvinkler. Gevindhuller skal være dybe nok til at tillade, at kraven af løftepunktet understøttes af kontaktoverfladen. Det gevindskårne hul skal laves vinkelret på kontaktoverfladen, og kontaktoverfladen skal være plan og dimensioneret til at rumme svirveløjebolten.

Anbefalede minimumsgevindlængder for forskellige materialer i forhold til metrisk gevinddiameter:

- 1 x M for stål
- 1,25 x M for støbejern
- 2 x M for aluminiumslegeringer
- 2,5 x M for aluminium-magnesiumlegeringer

Når det er monteret, skal forbindelsen placeres, så den kan tilsluttes direkte til løftemaskinen eller til mellemliggende løfteudstyr for at udføre løfteoperationen.

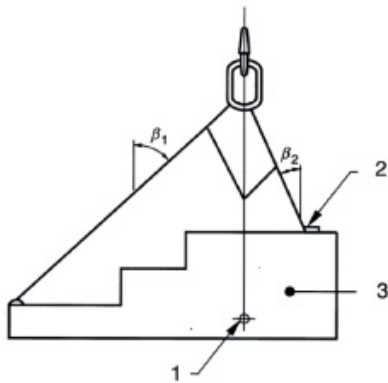
Sikkerhed ved løft

Arbejdsbelastningsgrænsen for løfteudstyret må aldrig overskrides. Hænder og andre kropsdele skal holdes væk for at forhindre skader, når den løsthængende del tages op. Lasten skal løftes let uden stød, og det skal kontrolleres, at den er sikker og antager den tiltænkte position. Løftepersonale skal være opmærksom på risiciene ved svingende og vippende laster. Tillad aldrig personer eller kropsdele under hængende last. Tillad ikke personer at ride på lasten, mens den løftes. Afsætningsstedet skal være godt forberedt. Det skal sikres, at jorden eller gulvet er stærkt nok til at bære lasten. Det skal også sikres, at der er tilstrækkelig adgang til afsætningsstedet, og at det er frit for eventuelle unødvendige forhindringer og personer. Lasten skal landes forsigtigt og sikre, at kropsdele holdes frie. Sørg for lastens stabilitet, når den er sat ned, før løfteudstyret fjernes.

Tyngdepunkt

For at undgå svingning eller rotation af lasten er det vigtigt at placere løftepunkterne symmetrisk over lastens tyngdepunkt:

- For et 1-punkts løft skal fastgørelsespunktet arrangeres lodret over tyngdepunktet.
- For et 2-punkts løft skal fastgørelsespunkterne arrangeres på hver side af og over tyngdepunktet.
- For et 3- og 4-punkts løft skal fastgørelsespunkterne arrangeres symmetrisk i et plan rundt om og over tyngdepunktet. Det er at foretrække, at fordelingen er lige, og at fastgørelsespunkterne er over tyngdepunktet.



1. Tyngdepunkt
2. høj spænding i dette ben
3. belastning P

Lastsymmetri

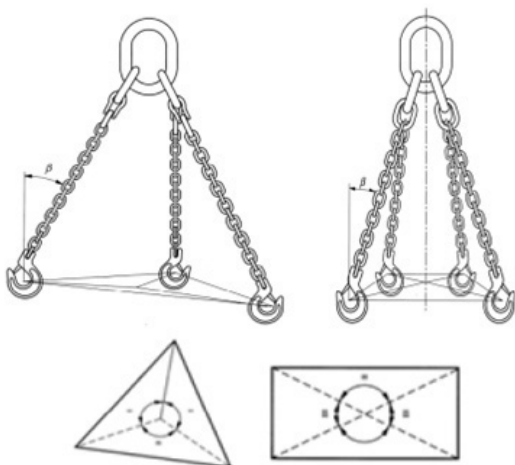
Arbejdsbelastningsgrænserne (WLL) for de forskellige konfigurationer er fastsat på baggrund af, at belastningen er symmetrisk. Dette betyder, at når lasten løftes, er løftepunkterne symmetrisk placeret i et plan og danner de samme vinkler til det lodrette.

I tilfælde af 2-, 3- og 4-parts kædesling, hvis parterne danner forskellige vinkler til det lodrette, vil den største spænding være i parten med den mindste vinkel til det lodrette. I det ekstreme tilfælde, hvis en part er lodret, vil den bære hele lasten.

Belastningen kan antages at være symmetrisk, hvis alle følgende betingelser er opfyldt, og lasten er mindre end 80% af den markerede WLL:

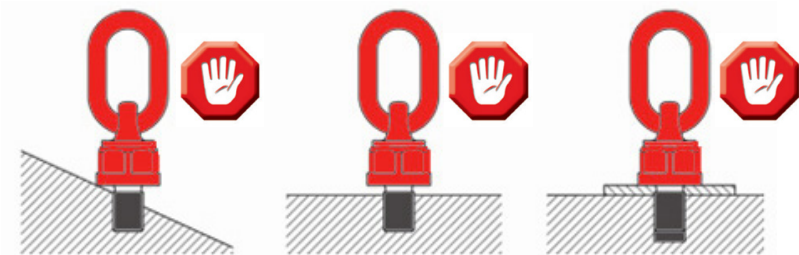
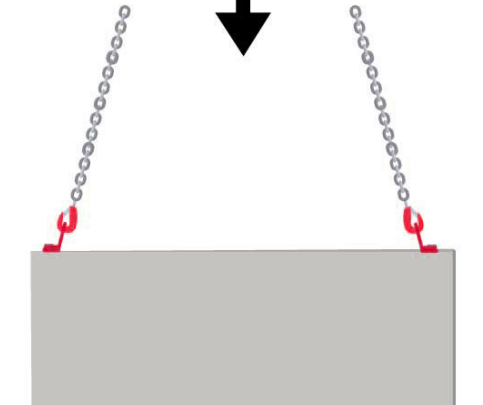
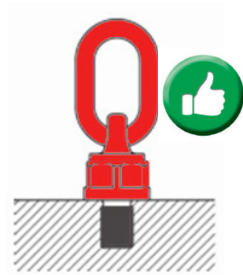
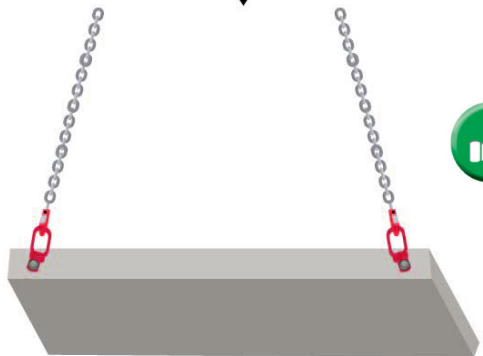
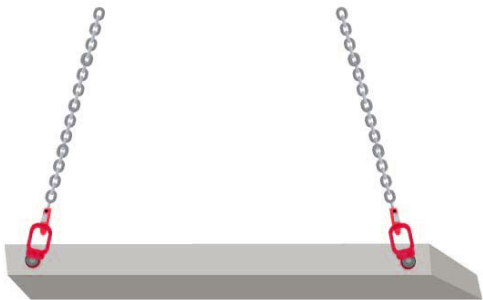
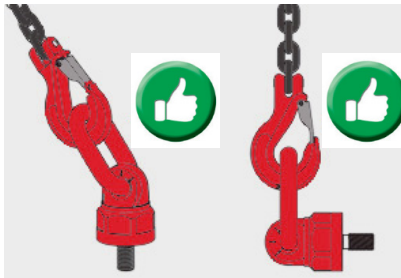
- vinklerne på kædeslingets parter til det lodrette er alle ikke mindre end 15° ; og
- vinklerne på kædeslingets parter til det lodrette er alle inden for 15° til hinanden; og
- i tilfælde af tre- og fire-parts kædesling er planvinklerne inden for 15° af hinanden.

Hvis ikke alle ovenstående parametre er opfyldt, bør belastningen betragtes som asymmetrisk, og løftet bør henvises til en kompetent person for at fastslå den sikre vurdering. Alternativt, i tilfælde af asymmetrisk belastning, bør kædeslinget vurderes til halvdelen af den markerede WLL.



Symmetri af belastning

Tilladt brug / Forbudt brug



Opbevaring af svirveløjebolte

Når de ikke er i brug, bør svirveløjebolte normalt opbevares på et korrekt designet stativ. De bør ikke efterlades liggende på jorden, hvor de kan blive beskadiget. Hvis det er sandsynligt, at produkterne vil være ude af brug i noget tid, bør de rengøres, tørres og beskyttes mod korrosion, f.eks. let olieret.

Inspektion og vedligeholdelse

Daglig inspektion

Under brug udsættes svirveløjeboltene for forhold, der kan påvirke deres sikkerhed. Det er derfor nødvendigt dagligt at kontrollere og sikre, at svirveløjeboltene er sikre til fortsat brug. Svirveløjebolten bør tages ud af drift og henvises til en kompetent person til grundig undersøgelse, hvis nogen af følgende observeres før hver brug:

- Kontroller, at alle mærkninger er læselige.
- Kontroller, at der ikke er nogen defekter såsom slid, deformation, snit, hakker, revner, korrosion eller andre synlige defekter, der kan påvirke sikkerheden.
- Kontroller, at kuglelejeledet kan rotere let og ikke har for meget spil.
- Sørg for, at WLL for løftepunktet er tilstrækkeligt for den last, der skal løftes.
- Sørg for, at løftepunktet er skruet fast til strukturen, og at svirveløjebolten kan rotere og vippe frit uden hindringer i brugsvinklerne.

Grundig undersøgelse

Et grundigt eftersyn bør udføres af en sagkyndig person med intervaller, der ikke overstiger tolv måneder. Dette interval bør være kortere, hvis det anses for nødvendigt i forhold til brugshyppigheden. Optegnelser over sådanne eftersynet bør opretholdes.

Produkterne bør rengøres grundigt for at være fri for olie, snavs og rust før eftersynet. Enhver rengøringsmetode, der ikke beskadiger modermetallet, er acceptabel. Metoder, der skal undgås, er dem, der bruger syrer, overophedning, fjernelse af metal eller bevægelse af metal, som kan dække over revner eller overfladefejl.

Tilstrækkelig belysning bør tilvejebringes for at opdage tegn på slid, forvrængning eller ekstern skade.

Komponenter, der er slidte, deformeret, revnede, synligt forvrænget, alvorligt korroderet eller har aflejringer, der ikke kan fjernes, bør kasseres og erstattes. Mindre skader såsom hakker og afskalning kan fjernes ved forsigtig slibning eller filing. Overfladen bør glat overgå til det tilstødende materiale uden pludselig ændring af sektionen. Fuldstændig fjernelse af skaden bør ikke reducere tykkelsen af sektionen på det punkt til mindre end producentens angivne minimumsmål eller med mere end 10% af sektionens nominelle tykkelse. Kontroller tilstanden af den gevindskårne bolt. Kontroller, at kuglelejeledet kan rotere let og ikke har for meget spil.

Reparation: Brug kun originale reservedele.

Afslutning af brug / Bortskaffelse

Svirveløjeboltene skal sorteres / skrottes som almindeligt stålskrot.

Ansvarsfraskrivelse

Vi forbeholder os retten til at ændre produktdesign, materialer, specifikationer eller instruktioner uden forudgående varsel og uden forpligtelse over for andre.

Hvis produktet ændres på nogen måde, eller hvis det kombineres med et ikke-kompatibelt produkt/komponent, påtager vi os intet ansvar for konsekvenserne med hensyn til produktets sikkerhed.

EC-overensstemmelseserklæring

SCM Citra OY Asestörinkatu 3-7

20780 Kaarina, Finland www.powertex-products.com

erklærer herved, at POWERTEX-produktet, som beskrevet ovenfor, er i overensstemmelse med EC Machinery Directive 2006/42/EC.

Mærkning

POWERTEX svirveløjebolte LPB er mærket **CE** og **UKCA**.

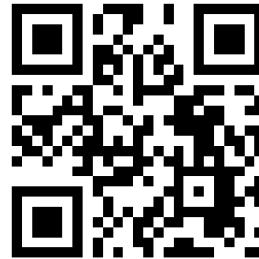


Brugermanualer

Du kan altid finde de gyldige og opdaterede brugermanualer på nettet. Manualen opdateres løbende og er kun gyldig i den nyeste version.

NB! Den engelske version er den originale instruktion.

Manualen er tilgængelig til download under følgende link:
www.powertex-products.com/manuals

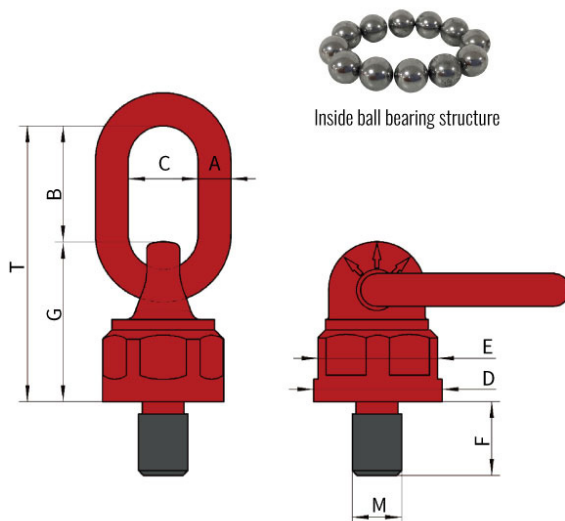


Produktoverensstemmelse og overensstemmelse

SCM Citra OY
Asessorinkatu 3-7
20780 Kaarina, Finland
Finland
www.powertex-products.com

POWERTEX Kuulalaakeroitu nostosilmukka LPB Käyttöohje (FI)

Tiedot ja mitat POWERTEX LPB



MITAT & KIRISTYSMOMENTTI

Malli	Kierre M (mm)	F (mm)	A (mm)	B (mm)	C (mm)	D (mm)	E (mm)	G (mm)	T Nm	Kiristysmomentti Nm
LPB-M8	M8 x 1.25-6g	12	12	44	30	40	37	46	98	10-40
LPB-M10	M10 x 1.5-6g	19	12	44	30	40	37	46	98	10-40
LPB-M12	M12 x 1.75-6g	19	12	44	30	40	37	46	98	15-40
LPB-M16	M16 x 2.0-6g	31.8	12	44	30	40	37	46	98	45-130
LPB-M20	M20 x 2.5-6g	38.1	20	67	40	70	64.3	76	160	100-170
LPB-M24	M24 x 3.0-6g	38.1	20	67	40	70	64.3	76	160	190-280
LPB-M30	M30 x 3.5-6g	50	22	95	51	79	74	91	206	270-600
LPB-M36	M36 x 4.0-6g	54	22	95	51	79	74	91	206	270-600
LPB-M42	M42 x 4.5-6g	63	26	108	65	93	85	100.5	230.5	350-800
LPB-M48	M48 x 5.0-6g	68	26	108	65	93	85	100.5	230.5	350-800
LPB-M56	M56 x 5.5-6g	84	32	120	70	105	95	132	278	350-900
LPB-M64	M64 x 6.0-6g	95	32	120	70	105	95	132	278	500-1000

Kuormitustaulukko LPB

Käyttölämpötila -40° jopa +200°C ilman WLL:n (Working Load Limit, sallittu työkuorma) vähennystä.

Huomio: Tuote on merkitty taulukon mukaisella pienimmällä WLL-arvolla. Suorassa pystynostossa pultin keskiliinjassa WLL saa olla suurempi kuin merkitty yleinen WLL.

Kiinnitystapa



Kuorman kulma	0	90	0	90	0-45	45-60	0-45	45-60	Epäsymmetrinen
Kerroin	1	1	2	1.4	1	2.1	1.5	1	
Malli	Työkuorma WLL (t)								
LPB-M8	0.6	0.4	1.2	0.8	0.6	0.4	0.8	0.6	0.4
LPB-M10	0.9	0.6	1.8	1.2	0.8	0.6	1.3	0.9	0.6
LPB-M12	1.2	0.7	2.4	1.4	1.0	0.7	1.5	1.1	0.7
LPB-M16	2.6	1.5	5.2	3	2.1	1.5	3.2	2.3	1.5
LPB-M20	4	2.5	8	5	3.5	2.5	5.3	3.8	2.5
LPB-M24	7	4	14	8	5.6	4	8.4	6	4
LPB-M30	10	6	20	12	8.4	6	12.6	9	6
LPB-M36	15	10	30	20	14	10	21	15	10
LPB-M42	17	13	34	26	18.2	13	27.3	19.5	13
LPB-M48	18	14	36	28	19.6	14	29.4	21	14
LPB-M56	28	20	56	4	28	20	42	30	20
LPB-M64	28	20	56	40	28	20	42	30	20

VAROITUS

Nostolaitteiden ja -välineiden käyttö on suunniteltava, järjestettävä ja suoritettava siten, että vaaralliset tilanteet estetään. Kansallisten lakisääteiden määräysten mukaisesti nostolaitteita ja -välineitä saa käyttää vain henkilö, joka on hyvin perehtynyt työhön ja jolla on teoreettista ja käytännön tietoa turvallisesta käytöstä. Ennen laitteen käyttöä on luettava käyttöohje. Se sisältää tärkeää tietoa laitteen turvallisesta ja oikeasta käytöstä. Tämän ohjeen määräysten noudattamatta jättäminen voi aiheuttaa vakavia seurauksia, kuten loukkaantumisriskin. Käyttöohjeen lisäksi viittaamme olemassa oleviin kansallisiin määräyksiin, jotka saattavat syrjäyttää nämä ohjeet.

Yleistä

POWERTEX LPB -nostosilmukat on tarkoitettu käytettäväksi nostolaitteina, jotka kiinnitetään suoraan kuormaan sen nostamiseksi tai osana nostokokoonpanoa, kuten nostopalkkia, nostoraksia jne. LPB:ssä on kuulalaakeri, joka mahdollistaa sen pyörimisen myös kuormitettuna. POWERTEX LPB -nostosilmukat täyttävät kaikki konedirektiivin 2006/42/EY ja sen viimeisimpien muutosten vaatimukset..

Käyttö haitallisissa ympäristöissä

Lämpötilan vaikutus sallittuun työkuormaan (WLL): On otettava huomioon käytössä saavutettava lämpötila. POWERTEX LPB -nostosilmukoita voidaan käyttää lämpötiloissa -40°C ja +200°C ilman sallitun työkuorman vähentämistä.
Happamissa olosuhteissa: Korkealujuuskomponentteja ei saa käyttää upotettuna happamiin liuoksiin tai altistettuna happamille höyryille. Samasta syystä niitä ei saa kuumasinkitä tai altistaa elektrolyyttiselle viimeistelylle ilman valmistajan lupaa.
Kemialliset vaikutukset: Konsultoi jakelijaasi, jos tuotteet altistetaan kemikaaleille, erityisesti yhdistettynä korkeisiin lämpötiloihin.
Vaaralliset olosuhteet: Erityisen vaarallisissa olosuhteissa, mukaan lukien offshore-toiminnot, henkilön nostaminen ja potentiaalisesti vaarallisten kuormien, kuten sulatettujen metallien, syövyttävien materiaalien tai säteilevien materiaalien nostaminen, vaaran aste tulisi arvioida pätevän henkilön toimesta ja sallittua työkuormaa on vastaavasti säädettävä.

Käyttölämpötila

-40 jopa +200°C ilman WLL:n alennusta
+200 jopa +300°C sallittu 10% WLL:n alennuksella
+300 jopa +400°C sallittu 25% WLL:n alennuksella

Merkinnät

POWERTEX LPB -nostopisteet on yleensä merkitty seuraavasti:
- Työkuorma (WLL) esim. WLL 0,4t
- Valmistajan symboli esim. POWERTEX tai PX.
- Mallinimi – Koko esim. LPB-M8
- Jäljitettävyysskoodi esim. F2 (osoittaa tiettyä erää).
- Vaatimustenmukaisuusmerkinnät CE + UKCA

Materiaali ja viimeistely

POWERTEX LPB -nostosilmukat on taottu korkealujuusteräksestä ja osat on sähköstaattisesti jauhemaalattu. Hitsatut lenkit on koekuormitettu 2,5 x WLL:llä. Muut kuormaa kantavat osat on särötestattu.

Valinta

Valitse nostosilmukan tyyppi, kierteen koko ja työkuorma sovellukseen sopivaksi. Jos nostosilmukka saattaa altistua äärimmäisille olosuhteille, tärinälle tai iskukuormitukselle, tämä on otettava hyvin huomioon oikeaa nostosilmukkaa valittaessa.

Ennen ensimmäistä käyttöä

Varmista, että toimitetut nostosilmukat vastaavat tilausta ja että todistus ja vaatimustenmukaisuusvakuutus ovat saatavilla. Pidä rekisteri kaikista nostolaitteista ja varmista, että niiden käyttökunto tarkastetaan säännöllisesti.

Asennus ja käyttö

Jos jokin näistä tarkastuskriteereistä ei täyty, nostosilmukkaa ei saa käyttää:
- Tarkista, että kaikki merkinnät ovat luettavissa.
- Tarkista, ettei ole vikoja, kuten kulumaa, muodonmuutoksia, leikkauksia, naarmuja, uurteita, halkeamia, korroosiota tai muita näkyviä vikoja, jotka voisivat vaikuttaa turvallisuuteen.

Varmista, että nostosilmukan WLL on riittävä nostettavalle kuormalle, katso WLL-taulukko. Nostosilmukka pitää kiristää tiukasti rakenteeseen tai kuormaan momenttiavaimella. Jos on tärinärisiä yms., tulee harkita Loctiten tai muiden kiinnityskeinojen käyttöä. Varmista asennuksen jälkeen, että nostosilmukka voi pyöriä ja kääntyä vapaasti ilman esteitä tarkoitetuissa nostokulmissa. Kierreaukkojen on oltava tarpeeksi syviä, jotta nostosilmukan pohja tukeutuu kosketuspintaan. Kierreaukon on oltava kohtisuorassa kosketuspintaa vasten ja kosketuspinnan on oltava tasainen ja mitoitettu sopimaan nostosilmukalle.

Eri materiaalien suositellut vähimmäiskierremitat suhteessa metrisen kierteen halkaisijaan:

- 1 x M teräkselle
- 1,25 x M valuraudalle
- 2 x M alumiiniseoksille
- 2,5 x M alumiini-magnesiumseoksille

Asennuksen jälkeen aseta lenkki niin, että se voidaan yhdistää suoraan nostolaitteeseen tai välilliseen nostoapuvälineeseen noston suorittamiseksi.

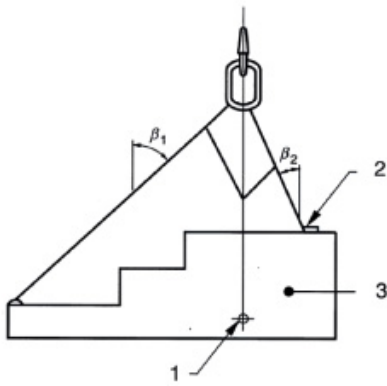
Turvallisuus nostettaessa

Nostolaitteiden työkuormaa ei saa koskaan ylittää. Kädet ja muut kehon osat on pidettävä poissa loukkaantumisen estämiseksi, kun nosto aloitetaan. Kuorma on nostettava kevyesti ilman iskuja ja tarkistettava, että se on turvallinen ja nousee tarkoitetussa asennossa. Nostohenkilöstön on oltava tietoinen heiluvien ja kallistuvien kuormien riskeistä. Älä koskaan salli henkilöiden tai kehonosien olla roikkuvan kuorman alla. Älä salli henkilöiden olla kuorman päällä sen nostamisen aikana. Laskeutumipaikan tulee olla hyvin valmisteltu. On varmistettava, että maaperä tai lattia kestää kuorman. On myös varmistettava, että laskupaikalle on riittävä pääsy ja että se on vapaa tarpeettomista esteistä ja ihmisistä. Kuorma on laskettava varovasti varmistaen, että kehonosat ovat poissa tieltä. Varmista kuorman vakaus laskettaessa ennen nostolaitteiden poistamista.

Painopiste

Kuorman heilumisen tai pyörimisen välttämiseksi on tärkeää sijoittaa nostosilmukat symmetrisesti kuorman painopisteen yläpuolelle::

- Yhden pisteen nostossa nostosilmukan pitää olla järjestetty suoraan painopisteen yläpuolelle.
- Kahden pisteen nostossa nostosilmukat pitää asentaa painopisteen kummallekin puolelle ja sen yläpuolelle.
- Kolmen ja neljän pisteen nostoissa nostosilmukat pitää asentaa symmetrisesti painopisteen ympärille ja sen yläpuolelle. On suositeltavaa, että kuorma jakautuu tasaisesti nostosilmukoille ja että ne ovat painopisteen yläpuolella.



1. painopiste
2. suuri jännitys tässä jalassa
3. kuormitus P

Kuorman symmetria

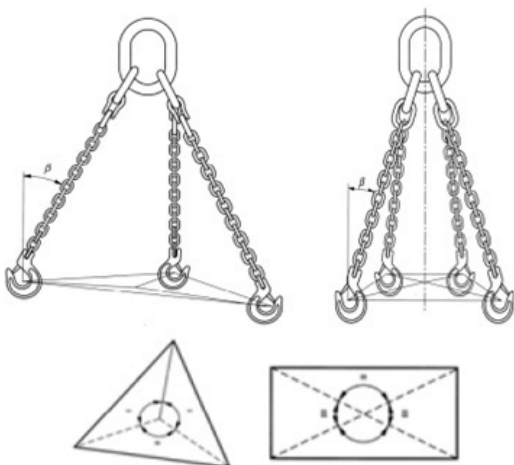
Eri konfiguraatioiden työkuormat (WLL) on määritetty olettaen, että kuormitus on symmetrinen. Tämä tarkoittaa, että kuormaa nostettaessa nostosilmukat sijoitetaan symmetrisesti tasossa ja ne ovat samassa kulmassa pystysuoraan nähden.

Jos monihaarisissa kettinkirakseissa haarojen kulmat ovat erisuuruiset, suurin kuormitus kohdistuu haaraan, jolla on pienin kulma pystysuoraan nähden. Ääritapauksessa, jos yksi haara on pystysuora, se kantaa koko kuorman.

Kuormituksen voidaan olettaa olevan symmetrinen, jos kaikki seuraavat ehdot täyttyvät ja kuorma on alle 80% merkitystä WLL:stä:

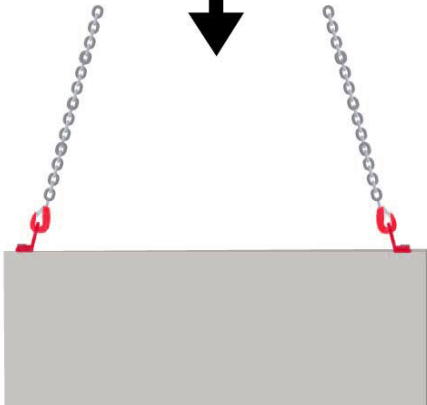
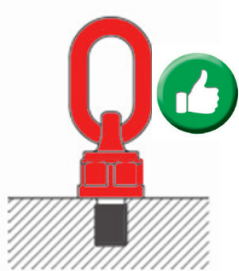
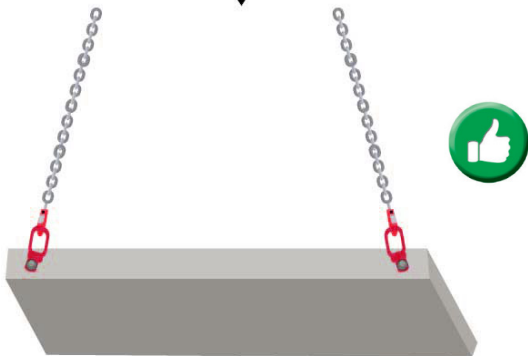
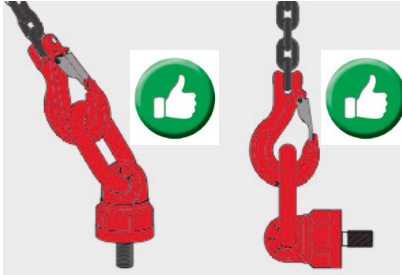
- a) kettinkiraksin haarojen kulmat pystysuoraan nähden ovat kaikki vähintään 15°; ja
- b) kettinkiraksin haarojen kulmat pystysuoraan nähden ovat kaikki 15°:n sisällä toisistaan; ja
- c) kolme- ja neljähaaraisissa kettinkirakseissa tasokulmat ovat toisistaan 15°:n sisällä toisistaan.

Jos kaikki edellä mainitut edellytykset eivät täyty, kuormitusta tulisi pitää epäsymmetrisenä, ja nosto tulisi laittaa pätevälle henkilölle turvallisen luokituksen määrittämiseksi. Vaihtoehtoisesti epäsymmetrisessä kuormituksessa kettinkiraksin työkuorma on vähennettävä puoleen merkitystä.



Kuormituksen symmetria

Sallittu käyttö / Kielletty käyttö



Nostosilmukoiden säilytys

Kun nostosilmukoita ei käytetä, ne pitäisi yleensä säilyttää asianmukaisesti suunnitellussa telineessä. Niitä ei pitäisi jättää maahan, missä ne voivat vaurioitua. Jos on todennäköistä, että tuotteita ei käytetä vähään aikaan, ne pitäisi puhdistaa, kuivata ja suojata korroosiolta, esim. kevyesti öljymällä.

Tarkastus ja huolto

Päivittäinen tarkastus

Käytön aikana nostosilmukat altistuvat olosuhteille, jotka voivat vaikuttaa niiden turvallisuuteen. Siksi on välttämätöntä päivittäin tarkastaa nostosilmukat ja varmistaa, että ne ovat turvallisia käyttää jatkossakin. Nostosilmukka pitää poistaa käytöstä ja toimittaa pätevälle henkilölle perusteelliseen tarkastukseen, jos ennen jokaista käyttöä havaitaan jokin seuraavista:

- Kaikki merkinnät eivät ole luettavissa.
- Nostosilmukoissa on vikoja, kuten kulumaa, muodonmuutoksia, leikkauksia, naarmuja, uurteita, halkeamia, korroosiota tai muita näkyviä vikoja, jotka voisivat vaikuttaa turvallisuuteen.
- Kuulalaakeri ei pyöri kunnolla tai se on liian väljä.
- Nostosilmukan WLL ei ole riittävä nostettavalle kuormalle.
- Nostosilmukka ei ole kiristetty tiukasti rakenteeseen ja että nostosilmukka ei voi pyöriä ja kääntyä vapaasti ilman esteitä nostokulmissa.

Perusteellinen tarkastus

Pätevän henkilön tulee suorittaa perusteellinen tarkastus enintään kahdentoista kuukauden välein. Tämä väli tulisi lyhentää, jos käyttöolosuhteet niin vaativat. Tarkastukset on merkittävä rekisteriin.

Tuotteet tulisi puhdistaa perusteellisesti vapaaksi öljystä, liasta ja ruosteesta ennen tarkastusta. Mikä tahansa puhdistusmenetelmä, joka ei vahingoita alkuperäistä materiaalia, on hyväksyttävä. Vältettäviä menetelmiä ovat ne, joissa käytetään happoja, ylikuumentamista, materiaalin poistoa tai työstämistä niin, että mahdolliset halkeamat tai pinnan viat voivat peittyä.

Riittävä valaistus on tarpeen kulumisen, muodonmuutosten tai ulkoisen vahingon merkkien havaitsemiseksi.

Komponentit, joissa on kulumia, muodonmuutoksia, halkeamia, näkyviä vääntymiä, voimakasta korroosiota tai ylimääräistä ainesta, jota ei saa poistettua pitäisi hylätä ja korvata. Pieniä vaurioita, kuten naarmuja ja uurteita, voidaan poistaa varovaisesti hioen tai viilaten. Pinnan tulisi sulautua sujuvasti viereiseen materiaaliin ilman suurempaa pykälää. Vahingon täydellinen poisto ei saisi pienentää kyseisen kohdan paksuutta alle valmistajan määrittämien vähimmäismittojen tai yli 10% kyseisen kohdan nimellispaksuudesta. Tarkista pultin kunto. Tarkista, että kuulalaakeri pyörii kunnolla eikä se ole liian väljä.

Korjaus: Käytä vain alkuperäisiä varaosia.

Hylkäys / Hävittäminen

Nostosilmukat lajitellaan/romutetaan yleisenä teräsromuna..

Vastuuvapauslauseke

Pidätämme oikeuden muuttaa tuotteen suunnittelua, materiaaleja, teknisiä tietoja tai ohjeita ilman ennakoilmoitusta ja ilman velvollisuutta muita kohtaan.

Jos tuotetta muutetaan millään tavalla tai jos se yhdistetään yhteensopimattomaan tuotteeseen/komponenttiin, emme ota vastuuta seurauksista tuotteen turvallisuuden suhteen.

EC Vaatimustenmukaisuusvakuutus

SCM Citra OY

Asessorinkatu 3-7

20780 Kaarina, Suomi

www.powertex-products.com

vakuuttaa täten, että POWERTEX-tuote, kuten yllä kuvattu, on Konedirektiivin 2006/42/EC mukainen.

Merkinnät

POWERTEX-nostopisteet LPB on merkitty **CE**- ja **UKCA**-merkeillä.



Käyttöohjeet

Voit aina löytää voimassa olevat ja päivitetetyt käyttöohjeet verkosta.
Ohje päivitetään jatkuvasti ja on voimassa vain viimeisimmässä versiossa.

Huom! Englanninkielinen versio on alkuperäinen ohje.

Ohje on ladattavissa seuraavan linkin kautta:
www.powertex-products.com/manuals



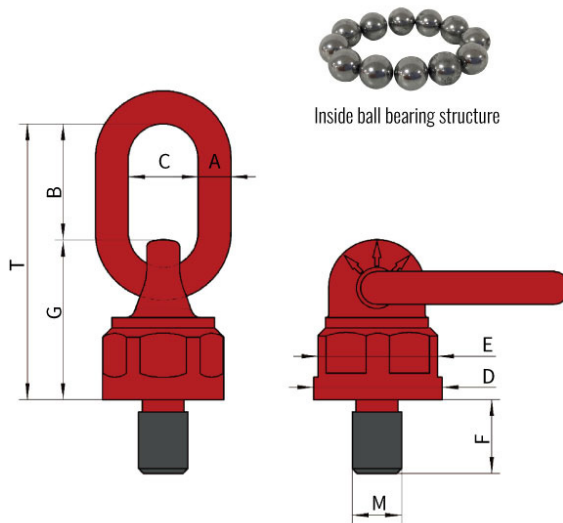
Tuotteen vaatimustenmukaisuus ja yhdenmukaisuus



SCM Citra OY
Asessorinkatu 3-7
20780 Kaarina Suomi
Suomi
www.powertex-products.com

POWERTEX Anschlagpunkt mit Kugellager-Link LPB Bedienungsanleitung (DE)

Daten und Maße POWERTEX LPB



ABMESSUNGEN & DREHMOMENT

Modell	Gewinde M (mm)	F (mm)	A (mm)	B (mm)	C (mm)	D (mm)	E (mm)	G (mm)	T Nm	Drehmoment Nm
LPB-M8	M8 x 1.25-6g	12	12	44	30	40	37	46	98	10-40
LPB-M10	M10 x 1.5-6g	19	12	44	30	40	37	46	98	10-40
LPB-M12	M12 x 1.75-6g	19	12	44	30	40	37	46	98	15-40
LPB-M16	M16 x 2.0-6g	31.8	12	44	30	40	37	46	98	45-130
LPB-M20	M20 x 2.5-6g	38.1	20	67	40	70	64.3	76	160	100-170
LPB-M24	M24 x 3.0-6g	38.1	20	67	40	70	64.3	76	160	190-280
LPB-M30	M30 x 3.5-6g	50	22	95	51	79	74	91	206	270-600
LPB-M36	M36 x 4.0-6g	54	22	95	51	79	74	91	206	270-600
LPB-M42	M42 x 4.5-6g	63	26	108	65	93	85	100.5	230.5	350-800
LPB-M48	M48 x 5.0-6g	68	26	108	65	93	85	100.5	230.5	350-800
LPB-M56	M56 x 5.5-6g	84	32	120	70	105	95	132	278	350-900
LPB-M64	M64 x 6.0-6g	95	32	120	70	105	95	132	278	500-1000

Lastdiagramm LPB

Arbeitstemperatur -40° bis +200°C ohne Reduzierung der Tragfähigkeit (WLL).

Hinweis: Das Produkt ist mit der niedrigsten WLL aus der Tabelle gekennzeichnet. Bei direktem vertikalem Heben ist die WLL am höchsten, bei anderen entsprechend der Tabelle.

Belastungswinkel	0	90	0	90	0-45	45-60	0-45	45-60	Asymmetrisch
Belastung									
Lastfaktor	1	1	2	2	1.4	1	2.1	1.5	1
Modell	Tragfähigkeitsgrenze WLL (t)								
LPB-M8	0.6	0.4	1.2	0.8	0.6	0.4	0.8	0.6	0.4
LPB-M10	0.9	0.6	1.8	1.2	0.8	0.6	1.3	0.9	0.6
LPB-M12	1.2	0.7	2.4	1.4	1.0	0.7	1.5	1.1	0.7
LPB-M16	2.6	1.5	5.2	3	2.1	1.5	3.2	2.3	1.5
LPB-M20	4	2.5	8	5	3.5	2.5	5.3	3.8	2.5
LPB-M24	7	4	14	8	5.6	4	8.4	6	4
LPB-M30	10	6	20	12	8.4	6	12.6	9	6
LPB-M36	15	10	30	20	14	10	21	15	10
LPB-M42	17	13	34	26	18.2	13	27.3	19.5	13
LPB-M48	18	14	36	28	19.6	14	29.4	21	14
LPB-M56	28	20	56	4	28	20	42	30	20
LPB-M64	28	20	56	40	28	20	42	30	20

WARNUNG

Die Arbeit mit Hebevorrichtungen und -ausrüstungen muss geplant, organisiert und durchgeführt werden, um gefährliche Situationen zu verhindern. Gemäß den nationalen gesetzlichen Vorschriften dürfen Hebevorrichtungen und -ausrüstungen nur von Personen verwendet werden, die mit der Arbeit vertraut sind und theoretisches und praktisches Wissen über die sichere Verwendung haben. Vor der Verwendung der Ausrüstung muss die Bedienungsanleitung gelesen werden. Sie enthält wichtige Informationen darüber, wie die Ausrüstung sicher und korrekt funktioniert. Die Nichtbeachtung der Vorschriften dieser Anleitung kann schwerwiegende Folgen wie Verletzungsrisiken haben. Neben der Bedienungsanleitung verweisen wir auf bestehende nationale Vorschriften, die diese Anweisungen ersetzen können.

Allgemeine Beschreibung

Powertex LPB Anschlagpunkte sind für den Einsatz als Hebezeuge vorgesehen, die direkt an der Last angebracht werden, um diese anzuheben, oder als Teile einer Hebevorrichtung wie Hebebalken, Hebegurte usw. LPB haben ein kugelgelagertes Drehgelenk, so dass sie sich auch unter Last drehen können. Powertex LPB Hebepunkte erfüllen alle Anforderungen der Maschinenrichtlinie 2006/42/EG und ihrer letzten Änderungen.

Verwendung in widrigen Umgebungen

Auswirkungen der Temperatur auf die Tragfähigkeit (WLL): Es sollte die Temperatur berücksichtigt werden, die im Betrieb erreicht werden kann. Powertex LPB Anschlagpunkte können bei Temperaturen zwischen -40°C und +200°C ohne Reduzierung der Tragfähigkeiten verwendet werden. Säurebedingungen: Hochfeste Hebekomponenten sollten weder in Säurelösungen getaucht noch Säuredämpfen ausgesetzt werden. Aus demselben Grund dürfen sie nicht feuerverzinkt oder ohne Genehmigung des Herstellers einer elektrolytischen Veredelung ausgesetzt werden. Chemische Einflüsse: Konsultieren Sie Ihren Händler, falls die Produkte Chemikalien ausgesetzt werden sollen, insbesondere in Kombination mit hohen Temperaturen.

Gefährliche Bedingungen: In besonders gefährlichen Bedingungen, einschließlich Offshore-Aktivitäten, dem Heben von Personen und dem Heben potenziell gefährlicher Lasten wie geschmolzenen Metallen, korrosiven Materialien oder spaltbaren Materialien, sollte das Gefahrenniveau von einer kompetenten Person bewertet und die Tragfähigkeit entsprechend angepasst werden.

Temperaturbereich

-40 bis +200°C ohne Reduzierung der WLL

+200 bis +300°C erlaubt mit 10% Reduzierung der WLL

+300 bis +400°C erlaubt mit 25% Reduzierung der WLL

Kennzeichnung

Powertex LPB Anschlagpunkte sind allgemein gekennzeichnet mit:

- Tragfähigkeit (WLL) z.B. WLL 0,4t
- Herstellersymbol z.B. POWERTEX oder PX
- Modellname - Größe z.B. LPB-M8
- Rückverfolgbarkeitscode z.B. F2 (bezeichnet eine bestimmte Charge).
- Konformitätszeichen CE + UKCA

Material und Verarbeitung

Powertex LPB Anschlagpunkte sind aus hochfestem legiertem Stahl geschmiedet und die Teile sind elektrostatistisch pulverbeschichtet. Geschweißte Glieder werden mit 2,5 x WLL geprüft. Andere lasttragende Teile werden auf Risse geprüft.

Auswahl

Wählen Sie den Typ des Anschlagpunktes, die Gewindegröße und die Tragfähigkeit, die für die jeweilige Anwendung geeignet sind. Wenn extreme Umstände, Vibrationen oder Stoßbelastungen auftreten können, muss dies bei der Auswahl des richtigen Anschlagpunktes berücksichtigt werden.

Vor der ersten Verwendung

Stellen Sie sicher, dass die gelieferten Anschlagpunkte der Bestellung entsprechen und dass Zertifikat und Konformitätserklärung zur Verfügung gestellt werden. Führen Sie ein Register aller Hebeausrüstungen und stellen Sie sicher, dass diese regelmäßig auf ihre Einsatzfähigkeit geprüft werden.

Montage und Verwendung

Wenn einer dieser Prüfpunkte nicht erfüllt ist, sollte der Anschlagpunkt nicht verwendet werden:

- Überprüfen Sie, ob alle Kennzeichnungen lesbar sind.
- Überprüfen Sie auf Mängel wie Verschleiß, Verformung, Schnitte, Kerben, Rillen, Risse, Korrosion oder andere sichtbare Defekte, die die Sicherheit beeinträchtigen könnten.

Stellen Sie sicher, dass die WLL des Anschlagpunktes ausreichend für die zu hebende Last ist (siehe WLL-Diagramm). Der Anschlagpunkt muss mit einem Drehmomentschlüssel fest an die Struktur oder Last geschraubt werden. Bei Gefahr von Vibrationen usw. sollte man Loctite oder andere Sicherungsmittel in Betracht ziehen. Stellen Sie nach der Montage sicher, dass sich der Anschlagpunkt frei drehen und neigen kann, ohne dass Hindernisse in den vorgesehenen Winkeln vorhanden sind. Gewindelöcher müssen tief genug sein, um den Boden des Anschlagpunktes durch die Kontaktfläche zu stützen. Das Gewindeloch muss senkrecht zur Kontaktfläche angebracht sein, und die Kontaktfläche muss eben und dimensioniert sein, um den Anschlagpunkt aufzunehmen.

Empfohlene Mindestgewindelängen verschiedener Materialien in Bezug auf den metrischen Gewindedurchmesser:

- 1 x M für Stahl
- 1,25 x M für Gusseisen
- 2 x M für Aluminiumlegierungen
- 2,5 x M für Aluminium-Magnesium-Legierungen

Wenn montiert, positionieren Sie das Glied so, dass es direkt an die Hebevorrichtung oder an Zwischenhebeausrüstungen angeschlossen werden kann, um den Hebevorgang durchzuführen.

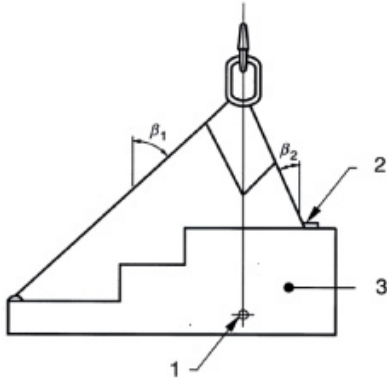
Sicherheit beim Heben

Die Tragfähigkeitsgrenze der Anschlagpunkte darf niemals überschritten werden. Hände und andere Körperteile sollten ferngehalten werden, um Verletzungen zu vermeiden, während die Last aufgenommen wird. Die Last sollte leicht ohne Schock angehoben und überprüft werden, ob sie sicher ist und die beabsichtigte Position einnimmt. Das Hebe-Personal muss sich der Risiken von schwingenden und kippenden Lasten bewusst sein. Lassen Sie niemals Personen oder Körperteile unter einer hängenden Last. Es sollte nicht erlaubt sein, dass Personen sich auf der Last befinden, während sie angehoben wird. Der Ablageort sollte gut vorbereitet sein. Es sollte sichergestellt werden, dass der Boden oder die Bodenfläche ausreichend stark ist, um die Last zu tragen. Es sollte auch sichergestellt werden, dass ein ausreichender Zugang zum Ablageort vorhanden ist und das er frei von unnötigen Hindernissen und Personen ist. Die Last sollte vorsichtig abgesetzt werden, wobei darauf zu achten ist, dass Körperteile nicht in Mitleidenschaft gezogen werden. Stellen Sie die Stabilität der Last sicher, bevor Sie die Hebeausrüstung entfernen.

Schwerpunkt

Um ein Schwingen oder Drehen der Last zu vermeiden, ist es wichtig, die Anschlagpunkte symmetrisch über dem Schwerpunkt der Last zu positionieren:

- Bei einem 1-Punkt-Heben sollte der Anschlagpunkt vertikal über dem Schwerpunkt angeordnet sein.
- Bei einem 2-Punkte-Heben sollten die Anschlagpunkte auf jeder Seite und über dem Schwerpunkt angeordnet sein.
- Bei einem 3- und 4-Punkte-Heben sollten die Anschlagpunkte symmetrisch in einer Ebene um und über dem Schwerpunkt angeordnet sein. Es ist vorzuziehen, dass die Verteilung gleichmäßig ist und dass die Anschlagpunkte über dem Schwerpunkt liegen.



1. Schwerpunkt
2. hohe Spannung in diesem Schenkel
3. Belastung P

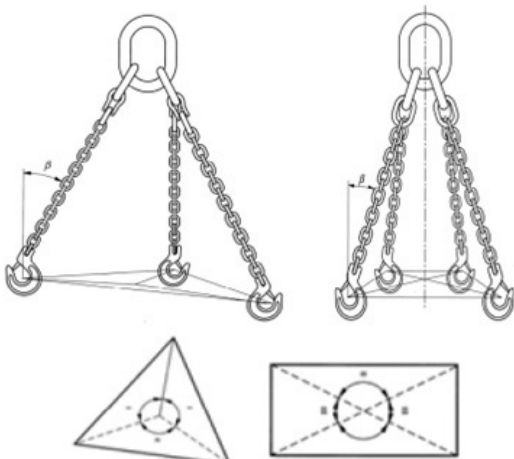
Lastsymmetrie

Die Arbeitslastgrenzen (WLL) für die verschiedenen Konfigurationen wurden unter der Annahme bestimmt, dass die Belastung symmetrisch ist. Dies bedeutet, dass wenn die Last angehoben wird, die Anschlagpunkte symmetrisch in einer Ebene angeordnet sind – also gleiche Winkel haben.

Im Falle von 2-, 3- und 4-Strang-Kettengehängen, wenn die Stränge unterschiedliche Winkel zur Vertikalen einschließen, wird die größte Spannung im Strang mit dem kleinsten Winkel zur Vertikalen sein. Im Extremfall, wenn ein Strang vertikal ist, wird er die gesamte Last tragen. Die Belastung kann als symmetrisch angesehen werden, wenn alle folgenden Bedingungen erfüllt sind und die Last weniger als 80% der gekennzeichneten WLL beträgt:

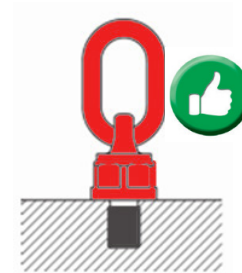
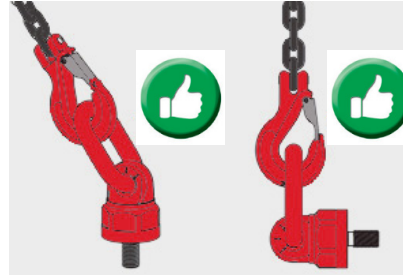
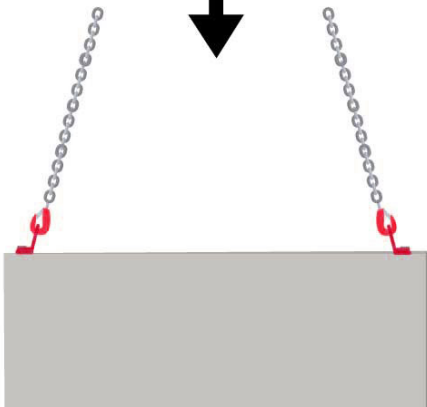
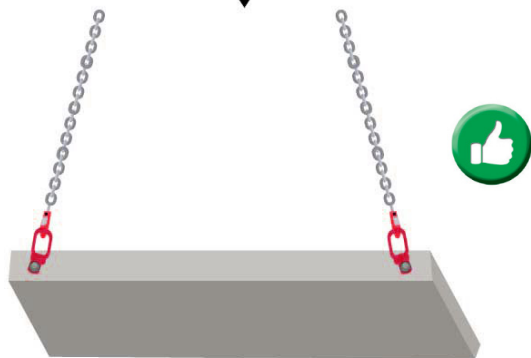
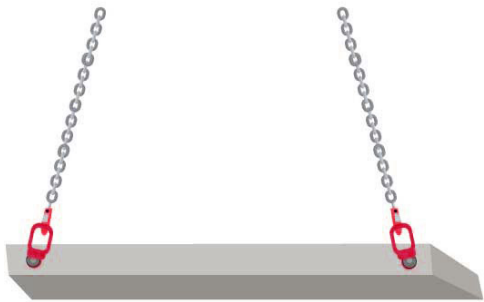
- a) Die Winkel der Kettengehängen -Stränge zur Vertikalen sind alle nicht weniger als 15° ; und
- b) Die Winkel der Kettengehängen -Stränge zur Vertikalen sind alle innerhalb von 15° zueinander; und
- c) im Falle von drei- und viersträngigen Kettengehängen sind die Ebenenwinkel innerhalb von 15° zueinander.

Wenn nicht alle oben genannten Parameter erfüllt sind, sollte die Belastung als asymmetrisch betrachtet werden, und der Hebevorgang sollte an eine kompetente Person verwiesen werden, um die sichere Bewertung festzustellen. Alternativ sollte im Falle einer asymmetrischen Belastung das Kettengehänge mit der Hälfte der gekennzeichneten WLL bewertet werden.



Symmetrie der Beladung

Erlaubte Verwendung / Verbotene Verwendung



Lagerung von Anschlagpunkten

Wenn Anschlagpunkte nicht benutzt werden, sollten sie ordentlich aufbewahrt werden (z.B Gestell o.ä.) . Sie sollten nicht auf dem Boden liegen gelassen werden, wo sie beschädigt werden könnten. Wenn voraussichtlich die Produkte für einige Zeit nicht benutzt werden, sollten sie gereinigt, getrocknet und vor Korrosion geschützt werden, z.B. leicht geölt.

Inspektion und Wartung

Tägliche Inspektion

Während des Einsatzes sind die Anschlagpunkte Bedingungen ausgesetzt, die ihre Sicherheit beeinflussen können. Daher ist es notwendig, täglich zu überprüfen und sicherzustellen, dass die Anschlagpunkte für die weitere Verwendung sicher sind. Der Anschlagpunkt sollte aus dem Dienst genommen und einer kompetenten Person zur gründlichen Untersuchung übergeben werden, wenn einer der folgenden Punkte vor jedem Gebrauch festgestellt wird:

- Überprüfen Sie, ob alle Kennzeichnungen lesbar sind.
- Überprüfen Sie auf Mängel wie Verschleiß, Verformung, Schnitte, Kerben, Rillen, Risse, Korrosion oder andere sichtbare Defekte, die die Sicherheit beeinträchtigen könnten.
- Überprüfen Sie, ob man das Kugellager-Drehgelenk leicht drehen kann und nicht zu viel Spiel hat.
- Stellen Sie sicher, dass die WLL des Anschlagpunktes für die zu hebende Last ausreichend ist.
- Stellen Sie sicher, dass der Anschlagpunkt fest an die Struktur geschraubt ist und dass der Anschlagpunkt sich frei drehen und neigen kann, ohne in den Nutzungswinkeln behindert zu werden.

Gründliche Untersuchung

Eine gründliche Untersuchung sollte von einer kompetenten Person in Abständen von nicht mehr als zwölf Monaten durchgeführt werden. Dieses Intervall sollte bei Bedarf aufgrund der Einsatzbedingungen kürzer sein. Aufzeichnungen über solche Untersuchungen sollten geführt werden. Die Produkte sollten gründlich gereinigt werden, um frei von Öl, Schmutz und Rost vor der Untersuchung zu sein. Jede Reinigungsmethode, die das Grundmetall nicht beschädigt, ist akzeptabel. Zu vermeidende Methoden sind solche, die Säuren verwenden, Überhitzung, Metallentfernung oder Metallbewegung, die Risse oder Oberflächendefekte verdecken könnten.

Es sollte ausreichend Beleuchtung bereitgestellt werden, um Anzeichen von Verschleiß, Verformung oder äußeren Beschädigungen zu erkennen. Komponenten, die abgenutzt, verformt, gerissen, sichtbar verzogen, schwer korrodiert sind oder Ablagerungen aufweisen, die nicht entfernt werden können, sollten entsorgt und ersetzt werden. Geringfügige Schäden wie Kerben und Rillen können durch vorsichtiges Schleifen oder Feilen entfernt werden. Die Oberfläche sollte sanft in das angrenzende Material übergehen, ohne abrupte Querschnittsänderungen. Die vollständige Entfernung des Schadens sollte die Dicke des Abschnitts an dieser Stelle nicht auf weniger als die vom Hersteller angegebenen Mindestmaße oder um mehr als 10% der nominellen Dicke des Abschnitts reduzieren. Überprüfen Sie den Zustand des Gewindebolzens. Überprüfen Sie, ob man das Kugellager-Drehgelenk leicht drehen kann und nicht zu viel Spiel hat. Reparatur: Verwenden Sie nur Original-Ersatzteile.

Ende der Nutzung / Entsorgung

Die Anschlagpunkte sollen als allgemeiner Stahlschrott sortiert/entsorgt werden.

Haftungsausschluss

Wir behalten uns das Recht vor, Produktentwurf, Materialien, Spezifikationen oder Anweisungen ohne vorherige Ankündigung und ohne Verpflichtung gegenüber Dritten zu ändern.

Wenn das Produkt in irgendeiner Weise modifiziert wird oder wenn es mit einem nicht kompatiblen Produkt/Komponente kombiniert wird, übernehmen wir keine Verantwortung für die Folgen bezüglich der Sicherheit des Produkts.

EG-Konformitätserklärung

SCM Citra OY Aseessorinkatu 3-7

20780 Kaarina, Finnland www.powertex-products.com

erklärt hiermit, dass das oben beschriebene Powertex-Produkt in Übereinstimmung mit der EG-Maschinenrichtlinie 2006/42/EG ist.

Kennzeichnung

Die POWERTEX Anschlagpunkte LPB sind LPB sind mit **CE** und **UKCA** gekennzeichnet



Bedienungsanleitungen

Sie können immer die gültigen und aktualisierten Bedienungsanleitungen im Web finden.

Das Handbuch wird kontinuierlich aktualisiert und ist nur in der neuesten Version gültig.

NB! Die englische Version ist die Originalanleitung.

Das Handbuch ist unter folgendem Link zum Download verfügbar:
www.powertex-products.com/manuals



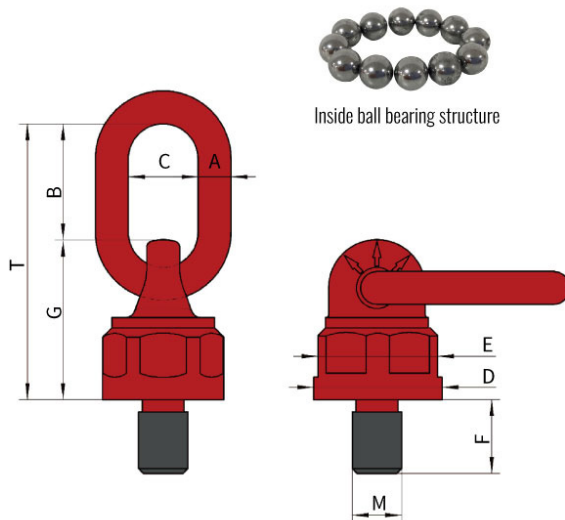
Produktkonformität und Konformität

SCM Citra OY
Asessorinkatu 3-7
20780 Kaarina Finland
Finland
www.powertex-products.com



POWERTEX Hijsoog met kogellagerverbinding LPB Gebruiksaanwijzing (NL)

Data and afmetingen POWERTEX LPB



DIMENSIONS & TORQUE

Model	Thread M (mm)	F (mm)	A (mm)	B (mm)	C (mm)	D (mm)	E (mm)	G (mm)	T Nm	Torque Nm
LPB-M8	M8 x 1.25-6g	12	12	44	30	40	37	46	98	10-40
LPB-M10	M10 x 1.5-6g	19	12	44	30	40	37	46	98	10-40
LPB-M12	M12 x 1.75-6g	19	12	44	30	40	37	46	98	15-40
LPB-M16	M16 x 2.0-6g	31.8	12	44	30	40	37	46	98	45-130
LPB-M20	M20 x 2.5-6g	38.1	20	67	40	70	64.3	76	160	100-170
LPB-M24	M24 x 3.0-6g	38.1	20	67	40	70	64.3	76	160	190-280
LPB-M30	M30 x 3.5-6g	50	22	95	51	79	74	91	206	270-600
LPB-M36	M36 x 4.0-6g	54	22	95	51	79	74	91	206	270-600
LPB-M42	M42 x 4.5-6g	63	26	108	65	93	85	100.5	230.5	350-800
LPB-M48	M48 x 5.0-6g	68	26	108	65	93	85	100.5	230.5	350-800
LPB-M56	M56 x 5.5-6g	84	32	120	70	105	95	132	278	350-900
LPB-M64	M64 x 6.0-6g	95	32	120	70	105	95	132	278	500-1000

Belastingsdiagram LPB

Werktemperatuur -40° tot +200°C zonder vermindering van de WLL.

Opmerking: Het product is gemarkeerd met de laagste WLL uit de tabel. Bij recht verticaal hijsen in de hartlijn van de bout mag de WLL hoger zijn dan de algemeen gemarkeerde WLL.

Model	Working Load Limit WLL (t)								
LPB-M8	0.6	0.4	1.2	0.8	0.6	0.4	0.8	0.6	0.4
LPB-M10	0.9	0.6	1.8	1.2	0.8	0.6	1.3	0.9	0.6
LPB-M12	1.2	0.7	2.4	1.4	1.0	0.7	1.5	1.1	0.7
LPB-M16	2.6	1.5	5.2	3	2.1	1.5	3.2	2.3	1.5
LPB-M20	4	2.5	8	5	3.5	2.5	5.3	3.8	2.5
LPB-M24	7	4	14	8	5.6	4	8.4	6	4
LPB-M30	10	6	20	12	8.4	6	12.6	9	6
LPB-M36	15	10	30	20	14	10	21	15	10
LPB-M42	17	13	34	26	18.2	13	27.3	19.5	13
LPB-M48	18	14	36	28	19.6	14	29.4	21	14
LPB-M56	28	20	56	4	28	20	42	30	20
LPB-M64	28	20	56	40	28	20	42	30	20

WAARSCHUWING

Het werken met hijsmiddelen en -uitrusting moet gepland, georganiseerd en uitgevoerd worden om gevaarlijke situaties te voorkomen. Overeenkomstig de nationale wettelijke voorschriften mogen hijsmiddelen en -uitrusting alleen gebruikt worden door iemand die goed bekend is met het werk en theoretische en praktische kennis heeft van veilig gebruik. Voordat de uitrusting gebruikt wordt, moet de gebruiksaanwijzing gelezen worden. Deze bevat belangrijke informatie over hoe de uitrusting op een veilige en correcte manier zal werken. Het niet volgen van de voorschriften van deze instructie kan ernstige gevolgen hebben zoals het risico op letsel. Naast de gebruiksaanwijzing verwijzen we naar bestaande nationale voorschriften die deze instructies kunnen overschrijden.

Algemene beschrijving

POWERTEX LPB Hijsogen zijn bedoeld om te worden gebruikt als hijsuitrusting die direct aan de lading wordt bevestigd om deze te hijsen of als onderdeel van een hijsassemblage zoals een hijsbalk, hijsstrop etc. LPB heeft een kogellager zwenkverbinding waardoor deze ook onder belasting kan draaien. POWERTEX LPB hijsogen voldoen aan alle relevante eisen van de Machinerichtlijn 2006/42/EG en de laatste wijzigingen daarvan.

Gebruik in ongunstige omgevingen

Effect van temperatuur op de werklustlimiet (WLL): Er moet rekening gehouden worden met de temperatuur die tijdens het gebruik bereikt kan worden. POWERTEX LPB hijsogen kunnen gebruikt worden bij temperaturen tussen -40°C en +200°C zonder vermindering van de werklustlimieten.

Zure omstandigheden: Componenten voor zwaar hijsen mogen niet worden gebruikt, noch ondergedompeld in zure oplossingen, noch blootgesteld aan zure dampen. Om dezelfde reden mogen ze niet thermisch verzinkt of blootgesteld worden aan elektrolytische afwerking zonder toestemming van de fabrikant.

Chemische effecten: Raadpleeg uw distributeur in geval de producten blootgesteld worden aan chemicaliën, met name in combinatie met hoge temperaturen.

Gevaarlijke omstandigheden: In bijzonder gevaarlijke omstandigheden, waaronder offshore activiteiten, het hijsen van personen en het hijsen van potentieel gevaarlijke lasten zoals gesmolten metalen, corrosieve materialen of splijtbare materialen, moet de mate van gevaar beoordeeld worden door een bevoegd persoon en de werklustlimiet dienovereenkomstig aangepast.

Gebruikstemperatuurbereik

- 40 tot +200°C zonder vermindering van de WLL
- +200 tot +300°C toegestaan met 10% vermindering van de WLL
- +300 tot +400°C toegestaan met 25% vermindering van de WLL

Markering

POWERTEX LPB hijsogen zijn over het algemeen gemarkeerd met:

- Werklustlimiet (WLL) bijv. WLL 0,4t
- Symbool van de fabrikant bijv. POWERTEX of PX.
- Modelnaam – Grootte bijv. LPB-M8
- Traceerbaarheidscode bijv. F2 (duidt op een specifieke partij).
- Conformiteitsmerken CE + UKCA

Materiaal en afwerking

POWERTEX LPB hijsogen zijn gesmeed uit hoogwaardig gelegeerd staal en onderdelen zijn elektrostatisch poedergelakt.

Selectie

Selecteer het type hijssoog, de schroefdraadmaat en de werklustlimiet die geschikt zijn voor de specifieke toepassing. Als extreme omstandigheden, trillingen of schokbelastingen kunnen optreden, moet hiermee rekening gehouden worden bij het selecteren van het juiste hijssoog.

Voor het eerste gebruik

Zorg ervoor dat de geleverde hijsogen overeenkomen met de bestelling en dat het certificaat en de Verklaring van Overeenstemming beschikbaar zijn. Houd een register bij van alle hijsuitrusting en zorg ervoor dat deze regelmatig gecontroleerd worden op geschiktheid voor gebruik.

Montage en gebruik

Als aan een van deze controlepunten niet wordt voldaan, mag het hijssoog niet gebruikt worden:

- Controleer of alle markeringen leesbaar zijn.
- Controleer op gebreken zoals slijtage, vervorming, sneden, inkepingen, scheuren, corrosie of andere zichtbare gebreken die de veiligheid kunnen beïnvloeden.

Zorg ervoor dat de WLL van het hijssoog voldoende is voor de te hijsen last, zie WLL-diagram. Het hijssoog moet stevig aan de constructie of last worden geschroefd met een momentsleutel. Als er risico op trillingen en dergelijke bestaat, moet overwogen worden om Loctite of andere middelen te gebruiken om te borgen. Zorg na montage dat het hijssoog vrij kan draaien en kantelen zonder enige belemmering in de bedoelde gebruikshoeken. Getapte gaten moeten diep genoeg zijn om de onderkant van het hijssoog door het contactoppervlak te ondersteunen. Het getapte gat moet loodrecht op het contactoppervlak worden gemaakt en het contactoppervlak moet vlak en gedimensioneerd zijn om het hijssoog te kunnen accommoderen.

Aanbevolen minimale schroefdraadlengtes van verschillende materialen in verhouding tot de metrische schroefdraaddiameter:

- 1 x M voor staal
- 1,25 x M voor gietijzer
- 2 x M voor aluminiumlegeringen
- 2,5 x M voor aluminium-magnesiumlegeringen

Wanneer gemonteerd, positioneer de schakel zo dat deze direct aan de hijsmachine of aan tussenliggende hijsuitrusting kan worden verbonden om de hijsoperatie uit te voeren.

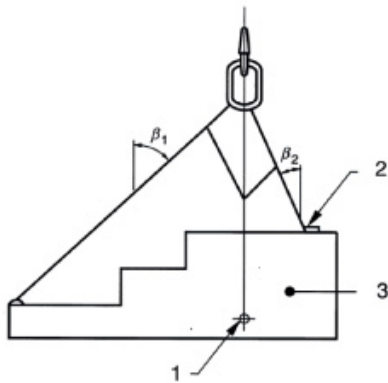
Veiligheid bij hijsen

De werklustlimiet (WLL) van de hijsuitrusting mag nooit worden overschreden. Handen en andere lichaamsdelen moeten uit de buurt worden gehouden om letsel te voorkomen als de speling wordt opgenomen. De last moet licht worden opgetild zonder schokken en er moet worden gecontroleerd of deze veilig is en de bedoelde positie aanneemt. Hefpersoneel moet zich bewust zijn van de risico's van zwaaiende en kantelende lasten. Laat nooit personen of lichaamsdelen onder een hangende last toe. Sta niet toe dat personen op de last rijden terwijl deze wordt gehesen. De landingsplaats moet goed voorbereid zijn. Er moet worden gezorgd dat de grond of vloer voldoende sterk is om de last te dragen. Er moet ook worden gezorgd voor voldoende toegang tot de landingsplaats en dat deze vrij is van onnodige obstakels en mensen. De last moet zorgvuldig worden neergelaten, waarbij ervoor wordt gezorgd dat lichaamsdelen vrij blijven. Zorg voor de stabiliteit van de last bij het neerzetten voordat de hijsgereedschappen worden verwijderd.

Zwaartepunt

Om zwaaien of rotatie van de last te voorkomen, is het belangrijk om de hijsogen symmetrisch boven het zwaartepunt van de last te positioneren:

- Voor een 1-puntshijs moet het bevestigingspunt verticaal boven het zwaartepunt worden geplaatst.
- Voor een 2-puntshijs moeten de bevestigingspunten aan elke kant van en boven het zwaartepunt worden geplaatst.
- Voor een 3- en 4-puntshijs moeten de bevestigingspunten symmetrisch in een vlak rond en boven het zwaartepunt worden geplaatst. Het is wenselijk dat de verdeling gelijk is en dat de bevestigingspunten boven het zwaartepunt liggen.



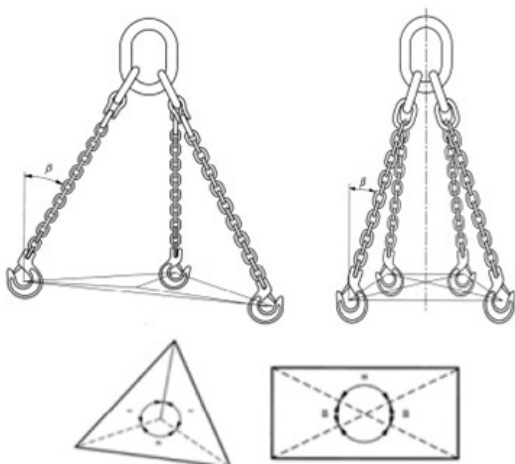
1. zwaartepunt
2. hoge spanning in dit been
3. belasting P

Lastsymmetrie

De werklustlimieten (WLL) voor de verschillende configuraties zijn bepaald op basis van het feit dat de belasting symmetrisch is. Dit betekent dat wanneer de last wordt gehesen, de hijsogen symmetrisch in een vlak zijn geplaatst en dezelfde hoeken ten opzichte van het verticale vlak maken. In het geval van 2-, 3- en 4-benige kettingslings, als de poten verschillende hoeken ten opzichte van het verticale vlak maken, zal de grootste spanning in de poot met de kleinste hoek tot het verticale vlak zijn. In het extreme geval, als één poot verticaal is, zal deze de gehele last dragen. De belasting kan als symmetrisch worden beschouwd als aan alle volgende voorwaarden is voldaan en de last minder is dan 80% van de gemarkeerde WLL:

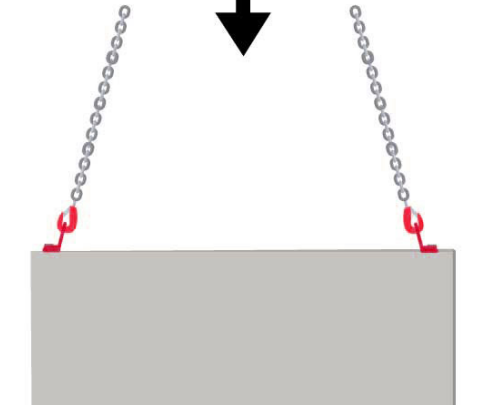
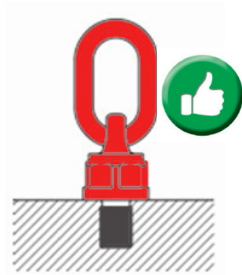
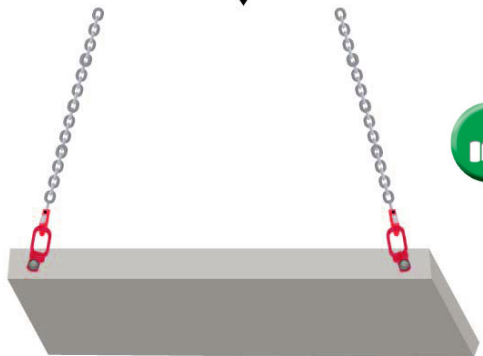
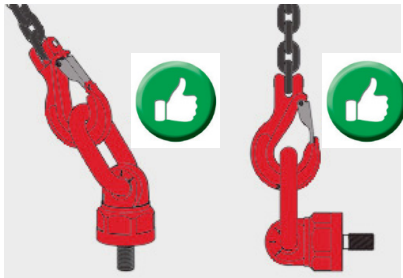
- a) de hoeken van de kettingslingpoten ten opzichte van het verticale vlak zijn allemaal niet minder dan 15°; en
- b) de hoeken van de kettingslingpoten ten opzichte van het verticale vlak liggen allemaal binnen 15° van elkaar; en
- c) in het geval van drie- en vierbenige kettingslings, liggen de planhoeken binnen 15° van elkaar.

Als niet aan alle bovenstaande parameters is voldaan, moet de belasting als asymmetrisch worden beschouwd en moet de hijsbeweging worden verwezen naar een bevoegd persoon om de veilige beoordeling vast te stellen. Als alternatief, in het geval van asymmetrische belasting, moet de kettingsling worden beoordeeld op de helft van de gemarkeerde WLL.



Symmetrie van de belasting

Toegestaan gebruik / Verboden gebruik



Opslag van hijsogen

Wanneer hijsogen niet in gebruik zijn, moeten ze normaal gesproken op een speciaal ontworpen rek worden bewaard. Ze mogen niet op de grond worden achtergelaten waar ze beschadigd kunnen raken. Als het waarschijnlijk is dat de producten enige tijd niet gebruikt zullen worden, moeten ze worden gereinigd, gedroogd en beschermd tegen corrosie, bijvoorbeeld licht geolied.

Inspectie en onderhoud

Dagelijkse inspectie

Tijdens het gebruik worden de hijsogen blootgesteld aan omstandigheden die hun veiligheid kunnen beïnvloeden. Daarom is het noodzakelijk om dagelijks te controleren en te zorgen dat de hijsogen veilig zijn voor voortgezet gebruik. Het hijsog moet uit de dienst worden genomen en worden verwezen naar een bevoegd persoon voor een grondige inspectie als een van de volgende zaken wordt waargenomen voor elk gebruik:

- Controleer of alle markeringen leesbaar zijn.
- Controleer op gebreken zoals slijtage, vervorming, sneden, inkepingen, deuken, scheuren, corrosie of andere zichtbare gebreken die de veiligheid kunnen beïnvloeden.
- Controleer of het kogellager zwenkpunt gemakkelijk kan draaien en niet te veel speling heeft.
- Zorg ervoor dat de WLL van het hijsog voldoende is voor de te hijsen last.
- Zorg ervoor dat het hijsog stevig aan de constructie is geschroefd en dat het hijsog vrij kan draaien en kantelen zonder enige obstructie in de gebruikshoeken.

Grondige inspectie

Een grondige inspectie moet worden uitgevoerd door een bevoegd persoon met intervallen van niet meer dan twaalf maanden. Dit interval moet korter zijn indien nodig geacht in het licht van de gebruiksomstandigheden. Van dergelijke inspecties moeten records worden bijgehouden.

De producten moeten grondig worden gereinigd om vrij te zijn van olie, vuil en roest voorafgaand aan de inspectie. Elke reinigingsmethode die het basismetaal niet beschadigt, is acceptabel. Te vermijden methoden zijn die met zuren, oververhitting, metaalverwijdering of metaalbeweging die scheuren of oppervlaktedefecten kunnen bedekken.

Er moet voldoende verlichting worden voorzien om eventuele tekenen van slijtage, vervorming of externe schade op te sporen.

Onderdelen die versleten, vervormd, gebarsten, zichtbaar vervormd, ernstig gecorrodeerd zijn of afzettingen hebben die niet kunnen worden verwijderd, moeten worden weggegooid en vervangen. Kleine schade zoals inkepingen en groeven kunnen worden verwijderd door voorzichtig te slijpen of te vijlen. Het oppervlak moet soepel overgaan in het aangrenzende materiaal zonder abrupte verandering van doorsnede. De volledige verwijdering van de schade mag de dikte van de sectie op dat punt niet verminderen tot minder dan de door de fabrikant gespecificeerde minimale afmetingen of met meer dan 10% van de nominale dikte van de sectie. Controleer de staat van de schroefdraadbout. Controleer of het kogellager zwenkpunt gemakkelijk kan draaien en niet te veel speling heeft.

Reparatie: Gebruik alleen originele reserveonderdelen.

Einde gebruik / Afvoer

De hijsogen moeten worden gesorteerd / afgevoerd als algemeen staalschroot.

Disclaimer

Wij behouden ons het recht voor om het ontwerp, de materialen, specificaties of instructies van het product zonder voorafgaande kennisgeving en zonder verplichting jegens anderen te wijzigen.

Als het product op enige wijze wordt gewijzigd, of als het wordt gecombineerd met een niet-compatibel product/onderdeel, nemen wij geen verantwoordelijkheid voor de gevolgen met betrekking tot de veiligheid van het product..

EG-verklaring van overeenstemming

SCM Citra OY

Asessorinkatu 3-7

20780 Kaarina, Finland

www.powertex-products.com

verklaart hierbij dat het boven beschreven POWERTEX-product in overeenstemming is met de EG-machinerichtlijn 2006.

Marking

De POWERTEX hijsogen LPB zijn gemarkeerd met **CE** en **UKCA**.

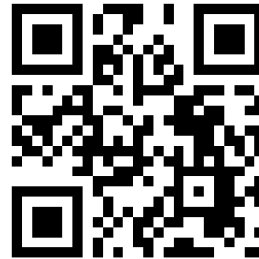


Gebruikershandleidingen

U kunt altijd de geldige en bijgewerkte gebruikershandleidingen op het web vinden. De handleiding wordt continu bijgewerkt en is alleen geldig in de nieuwste versie.

NB! De Engelse versie is de originele instructie.

De handleiding is beschikbaar als download via de volgende link:
www.powertex-products.com/manuals



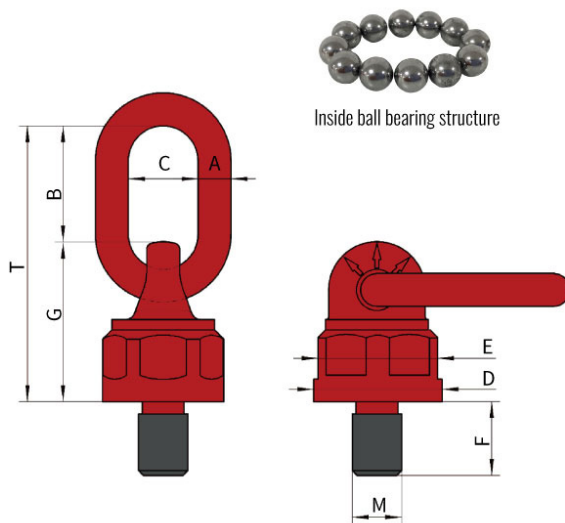
Productconformiteit en -overeenstemming



SCM Citra OY
Asessorinkatu 3-7
20780 Kaarina Finland
Finland
www.powertex-products.com

Anneau de levage articulé avec roulement à billes LPB Instructions d'utilisation (FR)

Données et dimensions POWERTEX LPB



DIMENSIONS & COUPLES DE SERRAGE

Modèle	Filetage M (mm)	F (mm)	A (mm)	B (mm)	C (mm)	D (mm)	E (mm)	G (mm)	T Nm	Couple de serrage
										Nm
LPB-M8	M8 x 1.25-6g	12	12	44	30	40	37	46	98	10-40
LPB-M10	M10 x 1.5-6g	19	12	44	30	40	37	46	98	10-40
LPB-M12	M12 x 1.75-6g	19	12	44	30	40	37	46	98	15-40
LPB-M16	M16 x 2.0-6g	31.8	12	44	30	40	37	46	98	45-130
LPB-M20	M20 x 2.5-6g	38.1	20	67	40	70	64.3	76	160	100-170
LPB-M24	M24 x 3.0-6g	38.1	20	67	40	70	64.3	76	160	190-280
LPB-M30	M30 x 3.5-6g	50	22	95	51	79	74	91	206	270-600
LPB-M36	M36 x 4.0-6g	54	22	95	51	79	74	91	206	270-600
LPB-M42	M42 x 4.5-6g	63	26	108	65	93	85	100.5	230.5	350-800
LPB-M48	M48 x 5.0-6g	68	26	108	65	93	85	100.5	230.5	350-800
LPB-M56	M56 x 5.5-6g	84	32	120	70	105	95	132	278	350-900
LPB-M64	M64 x 6.0-6g	95	32	120	70	105	95	132	278	500-1000

Tableau de charge LPB

Température de travail de -40° à +200°C sans réduction de la CMU.

Note : la CMU gravée tient compte du contexte de chargement le plus défavorable ainsi il s'agira de la valeur de CMU la plus faible indiquée sur chaque ligne du tableau de charge.

Chargement									
Angle de charge	0	90	0	90	0-45	45-60	0-45	45-60	Asymétrique
Facteur d'utilisation	1	1	2	1.4	1	2.1	1.5	1	1
Modèle	Charge Maximale d'Utilisation CMU (t)								
LPB-M8	0.6	0.4	1.2	0.8	0.6	0.4	0.8	0.6	0.4
LPB-M10	0.9	0.6	1.8	1.2	0.8	0.6	1.3	0.9	0.6
LPB-M12	1.2	0.7	2.4	1.4	1.0	0.7	1.5	1.1	0.7
LPB-M16	2.6	1.5	5.2	3	2.1	1.5	3.2	2.3	1.5
LPB-M20	4	2.5	8	5	3.5	2.5	5.3	3.8	2.5
LPB-M24	7	4	14	8	5.6	4	8.4	6	4
LPB-M30	10	6	20	12	8.4	6	12.6	9	6
LPB-M36	15	10	30	20	14	10	21	15	10
LPB-M42	17	13	34	26	18.2	13	27.3	19.5	13
LPB-M48	18	14	36	28	19.6	14	29.4	21	14
LPB-M56	28	20	56	4	28	20	42	30	20
LPB-M64	28	20	56	40	28	20	42	30	20

AVERTISSEMENT

Le travail avec des dispositifs et équipements de levage doit être planifié, organisé et exécuté afin de prévenir les situations dangereuses. Conformément aux réglementations légales nationales, les dispositifs et équipements de levage ne doivent être utilisés que par des personnes bien familiarisées avec le travail et possédant des connaissances théoriques et pratiques sur l'utilisation sécuritaire. Avant l'utilisation de l'équipement, le manuel d'instructions doit être lu. Il contient des informations importantes sur la manière dont l'équipement fonctionnera de manière sûre et correcte. Le non-respect des prescriptions de cette instruction peut entraîner de graves conséquences telles que des risques de blessures. Outre le manuel d'instructions, nous nous référons aux réglementations nationales existantes qui peuvent prévaloir sur ces instructions

Description générale

Les anneaux de levage POWERTEX LPB sont destinés à être utilisés comme équipements de levage à monter directement sur la charge afin de la soulever ou utilisés comme parties d'un ensemble de levage tel qu'un palonnier, une élingue de levage, etc. Les LPB ont un pivot à roulement à billes permettant de tourner également sous charge. Les anneaux POWERTEX LPB répondent à toutes les exigences pertinentes de la Directive Machines 2006/42/CE et ses dernières modifications

Utilisation dans des environnements défavorables

Effet de la température sur la Charge Maximale d'Utilisation : Il faut tenir compte de la température qui peut être atteinte en service. Les anneaux de levage POWERTEX LPB peuvent être utilisés dans des températures entre -40°C et +200°C sans réduction des Charges Maximales d'Utilisation.

Conditions acides : Les composants de levage à haute résistance ne doivent pas être utilisés immergés dans des solutions acides ou exposés à des fumées acides. Pour la même raison, ils ne doivent pas être galvanisés à chaud ou exposés à une finition électrolytique sans l'autorisation du fabricant.

Effets chimiques : Consultez votre distributeur si les produits doivent être exposés à des produits chimiques, surtout combinés à des températures élevées.

Conditions dangereuses : Dans des conditions particulièrement dangereuses, y compris les activités offshore, le levage d'une personne et le levage de charges potentiellement dangereuses telles que des métaux en fusion, des matériaux corrosifs ou des matériaux fissiles, le degré de danger doit être évalué par une personne compétente et la Charge Maximale d'Utilisation ajustée en conséquence.

Plage de température d'utilisation

- 40 jusqu'à +200°C sans réduction de la CMU
- +200 jusqu'à +300°C autorisé avec une réduction de 10% de la CMU
- +300 jusqu'à +400°C autorisé avec une réduction de 25% de la CMU

Marquage

Les anneaux de levage POWERTEX LPB sont généralement marqués avec:

- Charge Maximale d'Utilisation (CMU) par ex. CMU 0,4t
- Symbole du fabricant par ex. POWERTEX ou PX
- Nom du modèle – Taille par ex. LPB-M8
- Code de traçabilité par ex. F2 (indiquant un lot particulier).
- Marquages de conformité CE + UKCA

Matériel et finition

Les anneaux de levage POWERTEX LPB sont forgés en acier allié de haute résistance et les pièces sont peintes par poudrage électrostatique. Les maillons soudés sont testés à la charge d'épreuve 2,5 x CMU. Les autres pièces supportant la charge sont testées pour la détection de fissures.

Sélection

Sélectionnez le type d'anneau de levage, la taille du filetage et la Charge Maximale d'Utilisation adaptée à l'application particulière. Si des circonstances extrêmes, des vibrations ou des chocs au chargement peuvent survenir, cela doit être bien pris en compte lors de la sélection du bon anneau de levage.

Avant la première utilisation

Assurez-vous que les anneaux de levage livrés correspondent à la commande et qu'un certificat et une Déclaration de Conformité soient disponibles. Tenez un registre de tout l'équipement de levage et assurez-vous qu'ils sont régulièrement vérifiés pour être aptes à l'usage.

Assemblage et utilisation

Si l'un de ces points de contrôle n'est pas respecté, l'anneau ne doit pas être utilisé:

- Vérifiez que tous les marquages soient lisibles.
- Vérifiez qu'il n'y ait pas de défauts tels que l'usure, la déformation, les coupures, les entailles, les éraflures, les fissures, la corrosion ou d'autres défauts visibles qui pourraient affecter la sécurité.

Assurez-vous que la CMU de l'anneau est suffisante pour la charge à soulever, voir le tableau de la CMU. L'anneau de levage doit être vissé fermement à la structure ou à la charge à l'aide d'une clé dynamométrique et selon le couple de serrage indiqué dans le tableau ci-avant. Si le risque de vibrations, etc., on devrait envisager l'utilisation de Loctite ou d'autres moyens de sécurisation. Assurez-vous après le montage que l'anneau peut pivoter et tourner librement sans aucune obstruction dans les angles d'utilisation prévus. Les trous taraudés doivent être assez profonds pour permettre au bas de l'anneau d'être soutenu par la surface de contact. Le trou fileté doit être fait perpendiculairement à la surface de contact et la surface de contact doit être plane et dimensionnée pour accueillir l'anneau.

Longueurs minimales de filetage recommandées pour différents matériaux en relation avec le diamètre du filetage métrique:

- 1 x M pour l'acier
- 1,25 x M pour la fonte
- 2 x M pour les alliages d'aluminium
- 2,5 x M pour les alliages d'aluminium-magnésium

Lorsqu'il est monté, positionnez le et serrez le selon le couple de serrage indiqué dans le tableau ci-avant.

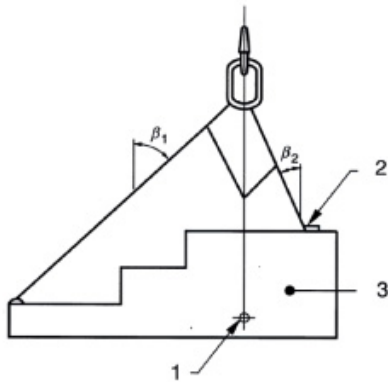
Sécurité lors du levage

La Charge Maximale d'Utilisation de l'équipement de levage ne doit jamais être dépassée. Les mains et les autres parties du corps doivent être tenues à l'écart pour éviter les blessures lorsque le mou est repris. La charge doit être soulevée légèrement sans à-coup et une vérification doit être effectuée pour s'assurer qu'elle est sécurisée et qu'elle prend la position prévue. Le personnel de levage doit être conscient des risques de balancement et de basculement des charges. Ne jamais permettre à des personnes ou à des parties du corps de se trouver sous une charge suspendue. Ne pas permettre aux personnes de monter sur la charge pendant qu'elle est soulevée. Le site d'atterrissage doit être bien préparé. Il faut s'assurer que le sol ou le plancher a une résistance adéquate pour supporter la charge. Il faut également s'assurer qu'il y a un accès adéquat au site d'atterrissage et qu'il est dégagé de tout obstacle inutile et de personnes. La charge doit être posée avec soin en veillant à ce que les parties du corps soient écartées. Assurez la stabilité de la charge une fois posée avant de retirer l'équipement de levage.

Centre de gravité

Pour éviter le balancement ou la rotation de la charge, il est important de positionner les anneaux de levage symétriquement au-dessus du centre de gravité de la charge :

- Pour un levage à 1 point, le point d'attache doit être disposé verticalement au-dessus du centre de gravité.
- Pour un levage à 2 points, les points d'attache doivent être disposés de chaque côté et au-dessus du centre de gravité.
- Pour un levage à 3 et 4 points, les points d'attache doivent être disposés symétriquement dans un plan autour et au-dessus du centre de gravité. Il est préférable que la distribution soit égale et que les points d'attache soient au-dessus du centre de gravité.



1. centre de gravité
2. tension élevée dans ce brin
3. charge P

Symétrie de la charge

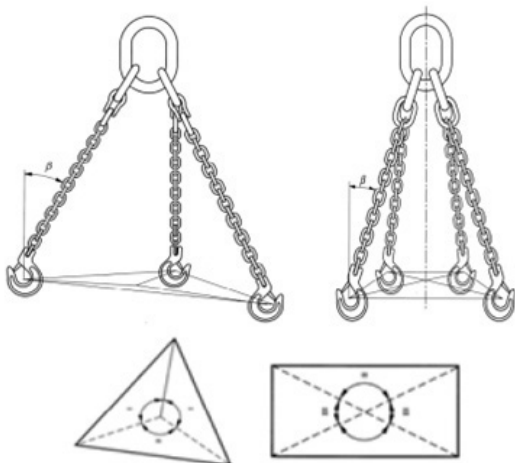
Les Charges Maximales d'Utilisation (CMU) pour les différentes configurations ont été déterminées sur la base d'une charge symétrique. Cela signifie que lorsque la charge est soulevée, les anneaux sont disposés symétriquement dans un plan et forment les mêmes angles avec la verticale.

Dans le cas des élingues à chaîne à 2, 3 et 4 brins, si les brins forment des angles différents avec la verticale, la plus grande tension sera dans le brin ayant l'angle le plus petit avec la verticale. Dans le cas extrême, si un brin est vertical, il portera la totalité de la charge.

La charge peut être considérée comme symétrique si toutes les conditions suivantes sont satisfaites et que la charge est inférieure à 80 % la CMU marquée :

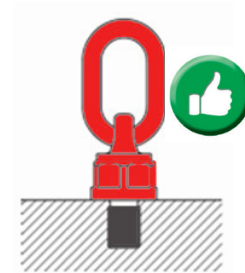
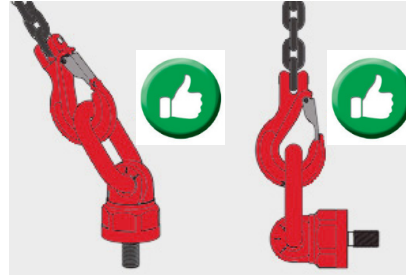
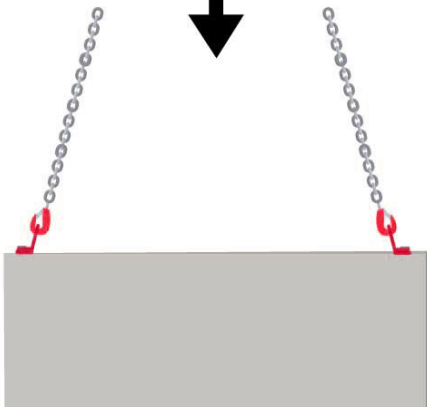
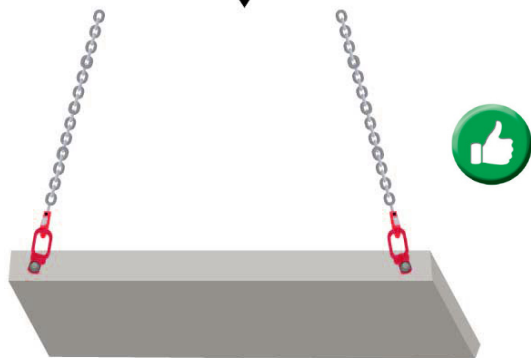
- a) Les angles des brins de l'élingue à chaîne par rapport à la verticale sont tous d'au moins 15° ; et
- b) Les angles des brins de l'élingue à chaîne par rapport à la verticale sont tous à 15° l'un de l'autre ; et
- c) Dans le cas des élingues à chaîne à 3 et 4 brins, les angles dans le plan sont à 15° l'un de l'autre.

Si tous les paramètres ci-dessus ne sont pas satisfaits, alors la charge doit être considérée comme asymétrique, et le levage doit être référé à une personne compétente pour établir l'évaluation pour la sécurité. Alternativement, en cas de charge asymétrique, l'élingue chaîne doit être évaluée à la moitié de la CMU marquée.



Symétrie de chargement

Utilisation autorisée / Utilisation interdite



Stockage des anneaux de levage

Lorsqu'ils ne sont pas utilisés, les anneaux de levage doivent normalement être conservés sur un support conçu à cet effet. Ils ne doivent pas être laissés à terre où ils pourraient être endommagés. Si les produits risquent de ne pas être utilisés pendant un certain temps, ils doivent être nettoyés, séchés et protégés contre la corrosion, par exemple légèrement huilés.

Inspection et maintenance

Inspection quotidienne

En service, les anneaux sont soumis à des conditions pouvant affecter leur sécurité. Il est donc nécessaire de vérifier quotidiennement et de s'assurer que les anneaux levage sont sûrs pour une utilisation continue. L'anneau de levage doit être retiré du service et soumis à un examen approfondi par une personne compétente si l'un des points suivants est observé avant chaque utilisation:

- Vérifier que tous les marques soient lisibles.
- Vérifier l'absence de défauts tels que l'usure, la déformation, les coupures, les éraflures, les entailles, les fissures, la corrosion ou d'autres défauts visibles pouvant affecter la sécurité.
- Vérifier que le pivot à roulement à billes peut tourner facilement et qu'il n'a pas de jeu excessif.
- S'assurer que la Charge Maximale d'Utilisation (CMU) de l'anneau de levage est suffisante pour la charge à soulever.
- S'assurer que l'anneau de levage est solidement vissé à la structure et que l'anneau de levage peut tourner et pivoter librement sans aucune obstruction dans les angles d'utilisation.

Examen approfondi

Un examen approfondi doit être effectué par une personne compétente à des intervalles n'excédant pas douze mois. Cet intervalle devrait être réduit si nécessaire à la lumière des conditions de service. Les dossiers de ces examens doivent être conservés.

Les produits doivent être nettoyés à fond pour être exempts d'huile, de saleté et de rouille avant l'examen. Toute méthode de nettoyage qui n'endommage pas la matière première est acceptable. Les méthodes à éviter sont celles utilisant des acides, la surchauffe, l'enlèvement de métal ou le mouvement de métal qui peut couvrir des fissures ou des défauts de surface.

Un éclairage adéquat doit être fourni pour détecter tout signe d'usure, de distorsion ou de dommage externe.

Les composants usés, déformés, fissurés, visiblement distordus, fortement corrodés ou ayant des dépôts qui ne peuvent pas être enlevés doivent être jetés et remplacés. Les dommages mineurs tels que les éraflures et les entailles peuvent être éliminés par un meulage ou un limage soigneux. La surface doit se fondre doucement dans le matériau adjacent sans changement brusque de section. La suppression complète du dommage ne doit pas réduire l'épaisseur de la section à ce point à moins que les dimensions minimales spécifiées par le fabricant ou de plus de 10% de l'épaisseur nominale de la section. Vérifier l'état du boulon fileté. Vérifier que le pivot à roulement à billes peut tourner facilement et qu'il n'a pas de jeu excessif.

Réparation : Utiliser uniquement des pièces de rechange d'origine.

Fin d'utilisation / Mise au rebut

Les anneaux de levage doivent être triés / mis au rebut comme déchets d'acier général.

Avertissement

Nous nous réservons le droit de modifier la conception du produit, les matériaux, les spécifications ou les instructions sans préavis et sans obligation envers les tiers.

Si le produit est modifié de quelque manière que ce soit, ou s'il est combiné avec un produit/composant non compatible, nous déclinons toute responsabilité quant aux conséquences concernant la sécurité du produit.

Déclaration de conformité CE

SCM Citra OY

Asessorinkatu 3-7

20780 Kaarina, Finlande

www.powertex-products.com

déclare par la présente que le produit POWERTEX décrit ci-dessus est conforme à la Directive Machines EC 2006/42/CE.

Marquage

Les anneaux de levage articulé POWERTEX LPB sont marqués **CE** et **UKCA**.



Manuels d'utilisateur

Vous pouvez toujours trouver les manuels d'utilisateur valides et mis à jour sur le web.

Le manuel est continuellement mis à jour et n'est valide que dans sa dernière version.

NB! La version anglaise est l'instruction originale.

Le manuel est disponible en téléchargement sous le lien suivant:
www.powertex-products.com/manuals



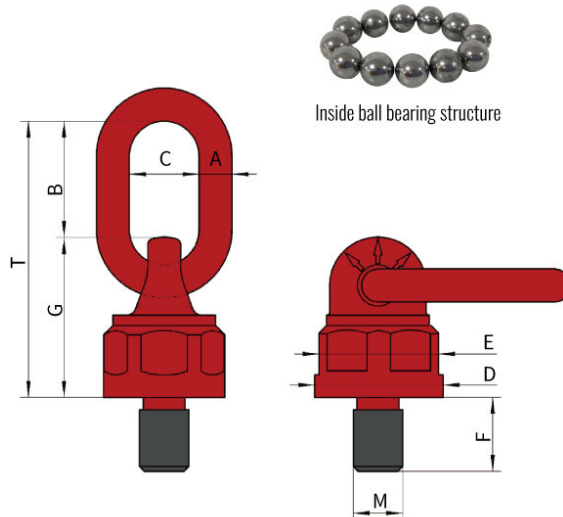
Conformité du produit

SCM Citra OY
Asessorinkatu 3-7
20780 Kaarina Finlande
Finlande
www.powertex-products.com



Punto de izaje POWERTEX con eslabón de rodamiento de bolas LPB Instrucciones de uso (ES)

Datos y dimensiones POWERTEX LPB



DIMENSIONES Y TORQUE

Modelo	Rosca M (mm)	F (mm)	A (mm)	B (mm)	C (mm)	D (mm)	E (mm)	G (mm)	T Nm	Torque Nm
LPB-M8	M8 x 1.25-6g	12	12	44	30	40	37	46	98	10-40
LPB-M10	M10 x 1.5-6g	19	12	44	30	40	37	46	98	10-40
LPB-M12	M12 x 1.75-6g	19	12	44	30	40	37	46	98	15-40
LPB-M16	M16 x 2.0-6g	31.8	12	44	30	40	37	46	98	45-130
LPB-M20	M20 x 2.5-6g	38.1	20	67	40	70	64.3	76	160	100-170
LPB-M24	M24 x 3.0-6g	38.1	20	67	40	70	64.3	76	160	190-280
LPB-M30	M30 x 3.5-6g	50	22	95	51	79	74	91	206	270-600
LPB-M36	M36 x 4.0-6g	54	22	95	51	79	74	91	206	270-600
LPB-M42	M42 x 4.5-6g	63	26	108	65	93	85	100.5	230.5	350-800
LPB-M48	M48 x 5.0-6g	68	26	108	65	93	85	100.5	230.5	350-800
LPB-M56	M56 x 5.5-6g	84	32	120	70	105	95	132	278	350-900
LPB-M64	M64 x 6.0-6g	95	32	120	70	105	95	132	278	500-1000

Diagrama de carga LPB

Temperatura de trabajo de -40° hasta +200°C sin reducción de la WLL.

Nota: El producto está marcado con la WLL más baja de la tabla. En el levantamiento vertical directo en la línea central del perno, se permite que la WLL sea mayor que la WLL general marcada.

Carga									
Ángulo de carga	0	90	0	90	0-45	45-60	0-45	45-60	Asimétrico
Factor de carga	1	1	2	1	1.4	1	2.1	1.5	1
Modelo	Límite de Carga de Trabajo WLL (t)								
LPB-M8	0.6	0.4	1.2	0.8	0.6	0.4	0.8	0.6	0.4
LPB-M10	0.9	0.6	1.8	1.2	0.8	0.6	1.3	0.9	0.6
LPB-M12	1.2	0.7	2.4	1.4	1.0	0.7	1.5	1.1	0.7
LPB-M16	2.6	1.5	5.2	3	2.1	1.5	3.2	2.3	1.5
LPB-M20	4	2.5	8	5	3.5	2.5	5.3	3.8	2.5
LPB-M24	7	4	14	8	5.6	4	8.4	6	4
LPB-M30	10	6	20	12	8.4	6	12.6	9	6
LPB-M36	15	10	30	20	14	10	21	15	10
LPB-M42	17	13	34	26	18.2	13	27.3	19.5	13
LPB-M48	18	14	36	28	19.6	14	29.4	21	14
LPB-M56	28	20	56	4	28	20	42	30	20
LPB-M64	28	20	56	40	28	20	42	30	20

ADVERTENCIA

El trabajo con dispositivos y equipos de elevación debe ser planificado, organizado y ejecutado para prevenir situaciones peligrosas. De acuerdo con las regulaciones estatutarias nacionales, los dispositivos y equipos de elevación solo deben ser utilizados por alguien que esté bien familiarizado con el trabajo y que tenga conocimientos teóricos y prácticos sobre el uso seguro. Antes de usar el equipo, se debe leer el manual de instrucciones. Contiene información importante sobre cómo el equipo funcionará de manera segura y correcta. No seguir las regulaciones de esta instrucción puede causar consecuencias graves como el riesgo de lesiones. Aparte del manual de instrucciones, nos referimos a las regulaciones nacionales existentes que pueden superar estas instrucciones.

Descripción general

Los puntos de elevación POWERTEX LPB están destinados a ser utilizados como equipos de elevación para montarse directamente en la carga con el fin de levantarla o utilizarse como partes de un ensamblaje de elevación como vigas de elevación, eslingas de elevación, etc. Los LPB tienen un giro con rodamiento de bolas que permite que también rote bajo carga. Los puntos de elevación POWERTEX LPB cumplen con todos los requisitos relevantes de la Directiva de Maquinaria 2006/42/EC y sus últimas enmiendas..

Uso en ambientes adversos

Efecto de la temperatura en el límite de carga de trabajo (WLL): Se debe tener en cuenta la temperatura que se puede alcanzar en servicio. Los puntos de elevación POWERTEX LPB se pueden utilizar en temperaturas entre -40°C y +200°C sin reducción de los límites de carga de trabajo. Condiciones ácidas: Los componentes de elevación de alta resistencia no deben usarse sumergidos en soluciones ácidas o expuestos a vapores ácidos. Por la misma razón, no deben ser galvanizados en caliente o expuestos a acabados electrolíticos sin permiso del fabricante.

Efectos químicos: Consulte con su distribuidor en caso de que los productos vayan a ser expuestos a químicos, especialmente combinados con altas temperaturas.

Condiciones peligrosas: En condiciones particularmente peligrosas, incluyendo actividades en alta mar, elevación de personas y elevación de cargas potencialmente peligrosas como metales fundidos, materiales corrosivos o materiales fisibles, el grado de peligro debe ser evaluado por una persona competente y el límite de carga de trabajo ajustado en consecuencia.

Rango de temperatura de uso

- 40 hasta +200°C sin reducción en WLL
- +200 hasta +300°C permitido con una reducción del 10% en WLL
- +300 hasta +400°C permitido con una reducción del 25% en WLL

Marcado

Los puntos de elevación POWERTEX LPB están generalmente marcados con:

- Límite de Carga de Trabajo (WLL) por ej. WLL 0,4t
- Símbolo del fabricante por ej. POWERTEX o PX
- Nombre del modelo – Tamaño por ej. LPB-M8
- Código de trazabilidad por ej. F2 (indicando un lote particular)
- Marcas de conformidad CE + UKCA

Material y acabado

Los puntos de elevación POWERTEX LPB están forjados de acero aleado de alta resistencia y las partes están pintadas con polvo electrostático. Los eslabones soldados son probados con carga de prueba 2,5 x WLL. Otras partes que soportan carga son probadas para detección de grietas.

Selección

Seleccione el tipo de punto de elevación, tamaño de rosca y límite de carga de trabajo adecuado para la aplicación específica. Si pueden ocurrir circunstancias extremas, vibraciones o cargas de choque, esto debe tenerse en cuenta al seleccionar el punto de elevación correcto.

Antes del primer uso

Asegúrese de que los puntos de elevación entregados correspondan al pedido y que el certificado y la Declaración de Conformidad estén disponibles. Mantenga un registro de todo el equipo de elevación y asegúrese de que sean revisados regularmente para estar aptos para el uso.

Montaje y uso

Si alguno de estos puntos de control no se cumple, el punto de elevación no debe ser utilizado:

- Verifique que todas las marcas sean legibles.
- Compruebe.

Asegúrese de que la WLL del punto de elevación sea suficiente para la carga que se va a levantar, consulte la tabla de WLL. El punto de elevación debe atornillarse firmemente a la estructura o carga utilizando una llave de torque. Si existe riesgo de vibraciones, etc., se debe considerar el uso de Loctite u otros medios de aseguramiento. Asegúrese, después de montar, que el punto de elevación pueda girar y pivotar libremente sin obstrucciones en los ángulos de uso previstos. Los agujeros roscados deben ser lo suficientemente profundos para permitir que la parte inferior del punto de elevación sea soportada por la superficie de contacto. El agujero roscado debe hacerse perpendicular a la superficie de contacto y esta debe ser plana y estar dimensionada para acomodar el punto de elevación.

Longitudes mínimas de rosca recomendadas para diferentes materiales en relación con el diámetro de la rosca métrica:

- 1 x M para acero
- 1,25 x M para hierro fundido
- 2 x M para aleaciones de aluminio
- 2,5 x M para aleaciones de aluminio-magnesio

Cuando esté montado, posicione el enlace de manera que se pueda conectar directamente a la máquina de elevación o a un equipo de elevación intermedio para realizar la operación de elevación.

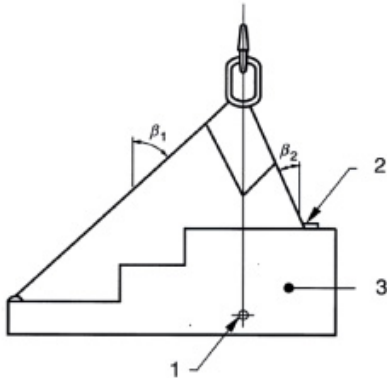
Seguridad al levantar

Nunca se debe exceder el límite de carga de trabajo del equipo de elevación. Las manos y otras partes del cuerpo deben mantenerse alejadas para evitar lesiones a medida que se recoge la holgura. La carga debe levantarse ligeramente sin golpes y verificar que esté segura y asuma la posición prevista. El personal de elevación debe ser consciente de los riesgos de oscilación e inclinación de las cargas. Nunca permita que las personas o partes del cuerpo estén debajo de una carga colgante. No permita que las personas monten en la carga mientras se está levantando. El lugar de aterrizaje debe estar bien preparado. Se debe asegurar que el suelo o el piso tenga la resistencia adecuada para soportar la carga. También se debe asegurar que haya un acceso adecuado al sitio de aterrizaje y que esté libre de cualquier obstáculo y personas innecesarias. La carga debe aterrizar cuidadosamente asegurando que las partes del cuerpo estén despejadas. Asegure la estabilidad de la carga al aterrizar antes de quitar el equipo de elevación.

Centro de gravedad

Para evitar la oscilación o rotación de la carga, es importante posicionar los puntos de elevación simétricamente sobre el centro de gravedad de la carga:

- Para un levantamiento de 1 punto, el punto de anclaje debe organizarse verticalmente sobre el centro de gravedad.
- Para un levantamiento de 2 puntos, los puntos de anclaje deben organizarse a cada lado y sobre el centro de gravedad.
- Para un levantamiento de 3 y 4 puntos, los puntos de anclaje deben organizarse simétricamente en un plano alrededor y sobre el centro de gravedad. Es preferible que la distribución sea igual y que los puntos de anclaje estén sobre el centro de gravedad.



1. centro de gravedad
2. alta tensión en este tramo
3. carga P

Simetría de carga

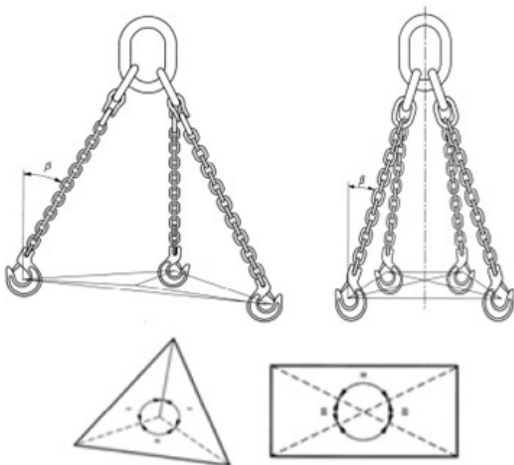
Los límites de carga de trabajo (WLL) para las diferentes configuraciones se han determinado sobre la base de que la carga es simétrica. Esto significa que cuando se levanta la carga, los puntos de elevación se disponen simétricamente en un plano y subtenden los mismos ángulos con la vertical.

En el caso de eslingas de cadena de 2, 3 y 4 patas, si las patas subtenden diferentes ángulos con la vertical, la mayor tensión estará en la pata con el ángulo más pequeño a la vertical. En el caso extremo, si una pata es vertical, llevará toda la carga.

La carga se puede asumir como simétrica si se cumplen todas las siguientes condiciones y la carga es menos del 80% del WLL marcado:

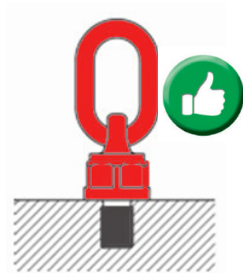
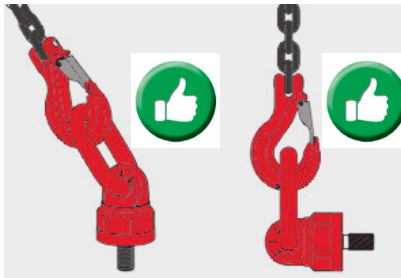
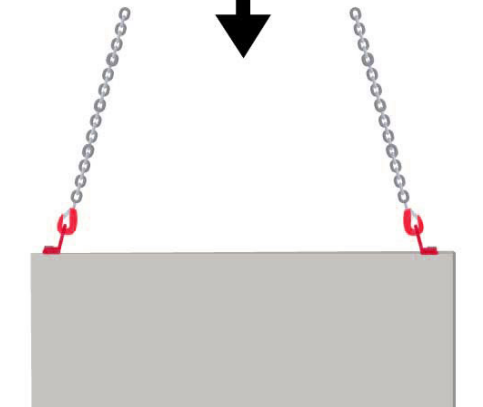
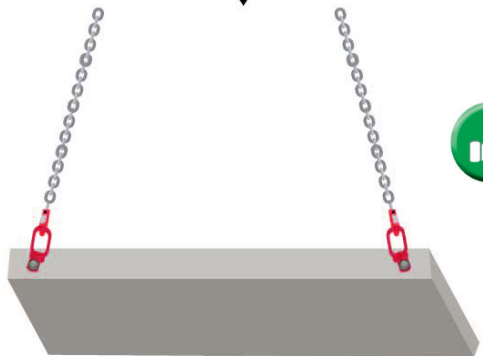
- los ángulos de las patas de la eslinga de cadena con respecto a la vertical son todos no menos de 15°; y
- los ángulos de las patas de la eslinga de cadena con respecto a la vertical están todos dentro de 15° entre sí; y
- en el caso de eslingas de cadena de tres y cuatro patas, los ángulos en el plano están dentro de 15° entre sí.

Si no se cumplen todos los parámetros anteriores, entonces la carga debe considerarse asimétrica, y la elevación debe referirse a una persona competente para establecer la calificación segura. Alternativamente, en el caso de carga asimétrica, la eslinga de cadena debe clasificarse a la mitad del WLL marcado.



Simetría de carga

Uso permitido / Uso prohibido



Almacenamiento de puntos de elevación

Cuando no estén en uso, los puntos de elevación deben guardarse normalmente en un estante diseñado adecuadamente. No deben dejarse tirados en el suelo donde podrían dañarse. Si es probable que los productos no se utilicen durante algún tiempo, deben limpiarse, secarse y protegerse contra la corrosión, por ejemplo, ligeramente engrasados.

Inspección y mantenimiento

Inspección diaria

Durante el servicio, los puntos de elevación están sujetos a condiciones que pueden afectar su seguridad. Por lo tanto, es necesario verificar diariamente y asegurarse de que los puntos de elevación sean seguros para su uso continuado. El punto de elevación debe retirarse del servicio y remitirse a una persona competente para un examen minucioso si se observa cualquiera de lo siguiente antes de cada uso:

- Verificar que todas las marcas sean legibles.
- Verificar que no haya defectos como desgaste, deformación, cortes, muescas, golpes, grietas, corrosión u otros defectos visibles que puedan afectar la seguridad.
- Verificar que el pivote de rodamiento de bolas pueda girar fácilmente y no tenga juego excesivo.
- Asegurarse de que la WLL del punto de elevación sea suficiente para la carga que se va a levantar.
- Asegurarse de que el punto de elevación esté atornillado firmemente a la estructura y que el punto de elevación pueda girar y pivotar libremente sin ninguna obstrucción en los ángulos de uso.

Examen minucioso

Una persona competente debe realizar un examen minucioso a intervalos que no excedan los doce meses. Este intervalo debería ser menor si se considera necesario a la luz de las condiciones de servicio. Se deben mantener registros de dichos exámenes.

Los productos deben limpiarse a fondo para estar libres de aceite, suciedad y óxido antes del examen. Cualquier método de limpieza que no dañe el metal base es aceptable. Los métodos a evitar son aquellos que utilizan ácidos, sobrecalentamiento, extracción de metal o movimiento de metal que pueda cubrir grietas o defectos superficiales.

Se debe proporcionar una iluminación adecuada para detectar cualquier signo de desgaste, distorsión o daño externo.

Los componentes que estén desgastados, deformados, agrietados, visiblemente distorsionados, severamente corroídos o tengan depósitos que no puedan eliminarse deben descartarse y reemplazarse. Daños menores como muescas y raspaduras pueden eliminarse mediante un cuidadoso esmerilado o limado. La superficie debe mezclarse suavemente con el material adyacente sin un cambio abrupto de sección. La eliminación completa del daño no debe reducir el grosor de la sección en ese punto a menos que las dimensiones mínimas especificadas por el fabricante o más del 10% del grosor nominal de la sección. Verificar el estado del perno roscado. Verificar que el pivote de rodamiento de bolas pueda girar fácilmente y no tenga juego excesivo.

Reparación: Usar solo repuestos originales.

Fin de uso / Eliminación

Los puntos de elevación deben clasificarse / desecharse como chatarra de acero general.

Descargo de responsabilidad

Nos reservamos el derecho de modificar el diseño del producto, los materiales, las especificaciones o las instrucciones sin previo aviso y sin obligación hacia terceros.

Si el producto se modifica de alguna manera, o si se combina con un producto/componente no compatible, no asumimos ninguna responsabilidad por las consecuencias con respecto a la seguridad del producto.

Declaración de conformidad de la CE

SCM Citra OY

Asessorinkatu 3-7

20780 Kaarina, Finlandia

www.powertex-products.com

por la presente declara que el producto POWERTEX descrito anteriormente cumple con la Directiva de Máquinas de la CE 2006/42/EC.

Marcado

Los puntos de elevación POWERTEX LPB están marcados con **CE** y **UKCA**.



Manuales de Usuario

Siempre puede encontrar los Manuales de Usuario válidos y actualizados en la web.

El manual se actualiza continuamente y es válido solo en la última versión.

NB! La versión en inglés es la instrucción original.

El manual está disponible para descargar en el siguiente enlace:
www.powertex-products.com/manuals



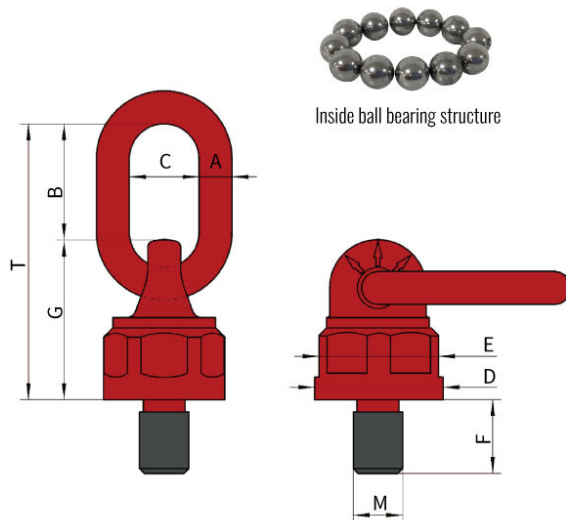
Cumplimiento y conformidad del producto



SCM Citra OY
Asessorinkatu 3-7
20780 Kaarina Finlandia
Finlandia
www.powertex-products.com

POWERTEX Pacelšanas punkts ar lodīšu gultņa posmu LPB Lietošanas instrukcija (LV)

Dati un izmēri POWERTEX LPB



DIMENSIONS & TORQUE

Model	Thread M (mm)	F (mm)	A (mm)	B (mm)	C (mm)	D (mm)	E (mm)	G (mm)	T Nm	Torque Nm
LPB-M8	M8 x 1.25-6g	12	12	44	30	40	37	46	98	10-40
LPB-M10	M10 x 1.5-6g	19	12	44	30	40	37	46	98	10-40
LPB-M12	M12 x 1.75-6g	19	12	44	30	40	37	46	98	15-40
LPB-M16	M16 x 2.0-6g	31.8	12	44	30	40	37	46	98	45-130
LPB-M20	M20 x 2.5-6g	38.1	20	67	40	70	64.3	76	160	100-170
LPB-M24	M24 x 3.0-6g	38.1	20	67	40	70	64.3	76	160	190-280
LPB-M30	M30 x 3.5-6g	50	22	95	51	79	74	91	206	270-600
LPB-M36	M36 x 4.0-6g	54	22	95	51	79	74	91	206	270-600
LPB-M42	M42 x 4.5-6g	63	26	108	65	93	85	100.5	230.5	350-800
LPB-M48	M48 x 5.0-6g	68	26	108	65	93	85	100.5	230.5	350-800
LPB-M56	M56 x 5.5-6g	84	32	120	70	105	95	132	278	350-900
LPB-M64	M64 x 6.0-6g	95	32	120	70	105	95	132	278	500-1000

Slodzes diagramma LPB

Darba temperatūra -40° līdz +200°C bez WLL samazinājuma.

Piezīme: Izstrādājums ir marķēts ar zemāko WLL no diagrammas. Pie taisnas vertikālas pacelšanas skrūves viduslīnijā WLL drīkst būt augstāka par atzīmēto vispārējo WLL.

Loading									
Load angle	0	90	0	90	0-45	45-60	0-45	45-60	Asymmetric
Load factor	1	1	2	1.4	1	2.1	1.5	1	
Model	Working Load Limit WLL (t)								
LPB-M8	0.6	0.4	1.2	0.8	0.6	0.4	0.8	0.6	0.4
LPB-M10	0.9	0.6	1.8	1.2	0.8	0.6	1.3	0.9	0.6
LPB-M12	1.2	0.7	2.4	1.4	1.0	0.7	1.5	1.1	0.7
LPB-M16	2.6	1.5	5.2	3	2.1	1.5	3.2	2.3	1.5
LPB-M20	4	2.5	8	5	3.5	2.5	5.3	3.8	2.5
LPB-M24	7	4	14	8	5.6	4	8.4	6	4
LPB-M30	10	6	20	12	8.4	6	12.6	9	6
LPB-M36	15	10	30	20	14	10	21	15	10
LPB-M42	17	13	34	26	18.2	13	27.3	19.5	13
LPB-M48	18	14	36	28	19.6	14	29.4	21	14
LPB-M56	28	20	56	4	28	20	42	30	20
LPB-M64	28	20	56	40	28	20	42	30	20

BRĪDINĀJUMS

Darbs ar celšanas ierīcēm un iekārtām jāplāno, jāorganizē un jāveic tā, lai novērstu bīstamas situācijas. Saskaņā ar valsts normatīvajiem aktiem pacelšanas ierīces un iekārtas drīkst lietot tikai persona, kas labi pārzina šo darbu un kurai ir teorētiskas un praktiskas zināšanas par to drošu lietošanu. Pirms iekārtas lietošanas jāizlasa lietošanas instrukcija. Tajā ir svarīga informācija par to, kā iekārta darbosies droši un pareizi. Šīs instrukcijas noteikumu neievērošana var radīt nopietnas sekas, piemēram, traumu risku. Papildus lietošanas instrukcijai mēs atsaucamies uz spēkā esošajiem valsts noteikumiem, kas var aizstāt šo instrukciju.

Vispārīgs apraksts

POWERTEX LPB pacelšanas punkti ir paredzēti izmantošanai kā pacelšanas aprīkojums, ko uzstāda tieši pie kravas, lai to paceltu, vai arī tos izmanto kā daļu no pacelšanas mezgla, piemēram, pacelšanas sijas, pacelšanas stropes utt. LPB ir lodīšu gultņa šarnīrs, kas ļauj tiem griezties arī zem slodzes. POWERTEX LPB pacelšanas punkti atbilst visām attiecīgajām Mašīnu direktīvas 2006/42/EK un tās jaunāko grozījumu prasībām.

Lietošana nelabvēlīgos apstākļos

Temperatūras ietekme uz darba slodzes robežu (WLL): Jāņem vērā temperatūra, ko var sasniegt ekspluatācijas laikā. POWERTEX LPB pacelšanas punktus var izmantot temperatūrā no -40°C līdz +200°C, nesamazinot darba slodzes robežas. Skābi apstākļi: Augstas stiprības pacelšanas elementus nedrīkst izmantot iegremdēt skābos šķīdumos vai pakļaut skābes tvaiku iedarbībai. Tā paša iemesla dēļ tos nedrīkst karsti cinkot vai pakļaut elektrolītiskai apstrādei bez ražotāja atļaujas. Ķīmiskā ietekme: Ja izstrādājumi tiks pakļauti ķīmisko vielu iedarbībai, jo īpaši kombinācijā ar augstu temperatūru, konsultējieties ar izplatītāju. Bīstamie apstākļi: Īpaši bīstamos apstākļos, tostarp darbībās atklātā jūrā, cilvēku celšanā un potenciāli bīstamu kravu, piemēram, izkausētu metālu, kodīgu materiālu vai skaldmateriālu celšanā, kompetentai personai jānovērtē bīstamības pakāpe un attiecīgi jāpielāgo darba slodzes robeža.

Lietošanas temperatūras diapazons

-40 līdz +200°C bez WLL samazinājuma
 +200 līdz +300°C, pieļaujot WLL samazinājumu par 10 %
 +300 līdz +400°C, pieļaujot WLL samazinājumu par 25 %

Marķējums

POWERTEX LPB pacelšanas punktiem parasti ir marķējums:
 - WLL 0,4t
 - ražotāja simbols, piemēram, POWERTEX vai PX
 - modeļa nosaukums - izmērs, piemēram, LPB-M8
 - izsekojamības kods, piemēram, F2 (norāda konkrētu partiju)
 - Atbilstības zīmes CE + UKCA

Materiāls un apdare

POWERTEX LPB pacelšanas punkti ir kalti no augstas stiprības legētā tērauda, un to daļas ir krāsotas ar elektrostatisko pulverkrāsu. Metinātie savienojumi ir pārbaudīti 2,5 x WLL. Citas slodzi nesošās daļas ir pārbaudītas, lai noteiktu plaisu rašanos.

Izvēle

Izvēlieties pacelšanas punkta tipu, vītnes izmēru un darba slodzes robežu, kas piemērota konkrētajam pielietojumam. Ja var rasties ekstremāli apstākļi, vibrācijas vai trieciena slodze, tas ir jāņem vērā, izvēloties pareizo pacelšanas punktu.

Pirms pirmās lietošanas

Pārliedzinieties, ka piegādātie pacelšanas punkti atbilst pasūtījumam un ka ir pieejams sertifikāts un atbilstības deklarācija. Veiciet visu pacelšanas līdzekļu uzskaiti un pārliedzinieties, ka tie regulāri tiek pārbaudīti, lai būtu piemēroti lietošanai.

Montāža un lietošana

Ja kāds no šiem pārbaudes punktiem nav izpildīts, pacelšanas punktu nedrīkst izmantot:

- Pārbaudiet, vai visi marķējumi ir salasāmi.
- Pārbaudiet, vai nav defektu, piemēram, nodiluma, deformācijas, iegriezumu, iegriezumu, iegriezumu, mērījumu, plaisu, korozijas vai citu redzamu defektu, kas varētu ietekmēt drošību.

Pārliedzinieties, ka pacelšanas punkta WLL ir pietiekama paceltajai kravai, skatīt WLL tabulu. Pacelšanas punkts ir cieši jāpieskrūvē pie konstrukcijas vai kravas, izmantojot dinamometrisko atslēgu. Ja pastāv vibrāciju risks u. c., jāapsver Loctite vai citi nostiprināšanas līdzekļi. Pēc montāžas pārliedzinieties, ka pacelšanas punkts var brīvi griezties un grozīties bez šķēršļiem paredzētajos lietošanas leņķos. Caurumiem ar vītņiem jābūt pietiekami dziļiem, lai pacelšanas punkta apakšdaļa varētu balstīties uz kontaktpvirsmas. Vītņotais caurums jāizgatavo perpendikulāri kontaktpvirsmai, un kontaktpvirsmai jābūt līdzenai un ar tādiem izmēriem, lai tajā varētu ievietot pacelšanas punktu.

Leteicamais minimālais dažādu materiālu vītņu garums attiecībā pret metriskās vītnes diametru::

- 1 x M tēraudam
- 1,25 x M čugunam
- 2 x M alumīnija sakausējumiem
- 2,5 x M alumīnija un magnija sakausējumiem

Pēc montāžas novietojiet saiti tā, lai to varētu savienot tieši ar pacelšanas iekārtu vai ar starpposma pacelšanas aprīkojumu, lai veiktu pacelšanas operāciju.

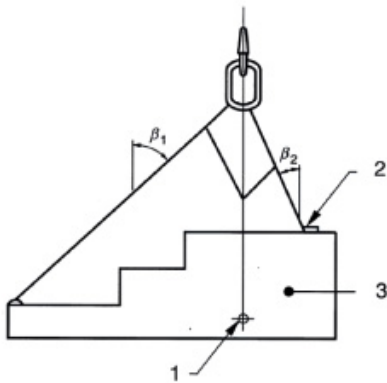
Drošība celšanas laikā

Nekādā gadījumā nedrīkst pārsniegt celšanas iekārtas darba slodzes robežu. Rokas un citas ķermeņa daļas jātur tālāk, lai novērstu traumas, kad tiek pacelts atslābums. Kravu nedaudz paceliet bez triecieniem un pārbaudiet, vai tā ir droša un ieņem paredzēto stāvokli. Pacelšanas personālam jāapzinās risks, kas saistīts ar šūpoļu un slīpumu radīto kravu. Nekādā gadījumā nedrīkst pieļaut, ka cilvēki vai ķermeņa daļas atrodas zem piekārtas kravas. Nepieļaujiet, ka cilvēki brauc uz kravas, kamēr tā tiek pacelta. Izkraušanas vietai jābūt labi sagatavotai. Jānodrošina, lai grunts vai grīda būtu pietiekami izturīga, lai uzņemtu kravu. Jānodrošina arī, lai izkraušanas vietai būtu piemērota piekļuve un lai tajā nebūtu nevajadzīgu šķēršļu un cilvēku. Krava jāizkrauj uzmanīgi, nodrošinot, ka ķermeņa daļas ir brīvas. Pirms pacelšanas aprīkojuma noņemšanas pārlicinieties par kravas stabilitāti pēc izkraušanas.

Smaguma centrs

Lai izvairītos no kravas šūpošanās vai rotācijas, ir svarīgi novietot pacelšanas punktus simetriski virs kravas smaguma centra:

- Vienpunktu pacelšanas gadījumā stiprinājuma punkts jāizvieto vertikāli virs smaguma centra.
- Divpunktu pacelšanas gadījumā stiprinājuma punktiem jābūt izvietotiem abās smaguma centra pusēs un virs smaguma centra.
- Trīs un četru punktu pacēlājam stiprinājuma punkti jāizvieto simetriski plaknē ap smaguma centru un virs tā. Vēlams, lai izvietojums būtu vienāds un stiprinājuma punkti atrastos virs smaguma centra.



1. Smaguma centrs
2. liels spriegums šajā posmā
3. slodze P

Slodzes simetrija

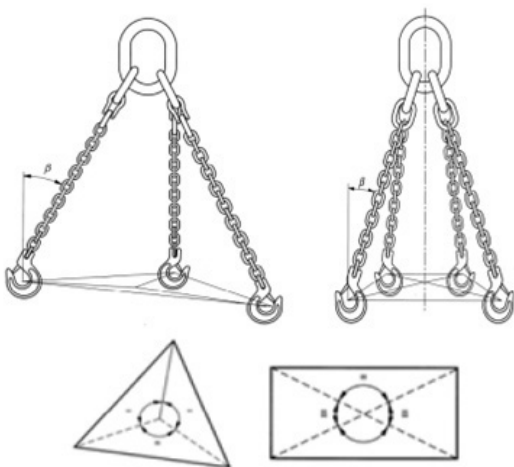
Darba slodzes robežas (WLL) dažādām konfigurācijām ir noteiktas, pamatojoties uz to, ka slodze ir simetriska. Tas nozīmē, ka, paceļot kravu, pacelšanas punkti ir simetriski izvietoti plaknē un veido vienādus leņķus pret vertikāli.

Divu, trīs un četru kāju ķēdes stropu gadījumā, ja kājas veido dažādus leņķus pret vertikāli, vislielākais spriegojums būs kājā ar mazāko leņķi pret vertikāli. Ekstrēmākajā gadījumā, ja viena kāja ir vertikāla, tā nesīs visu slodzi.

Slodzi var uzskatīt par simetrisku, ja ir izpildīti visi turpmāk minētie nosacījumi un slodze ir mazāka par 80 % no atzīmētās WLL:

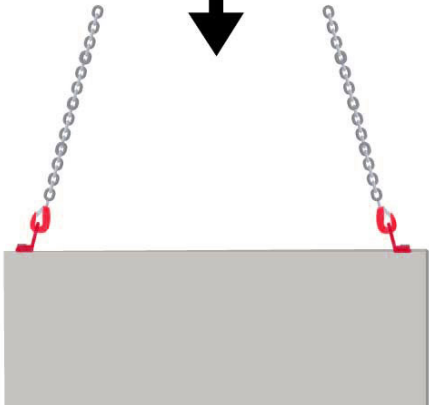
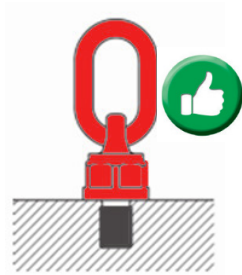
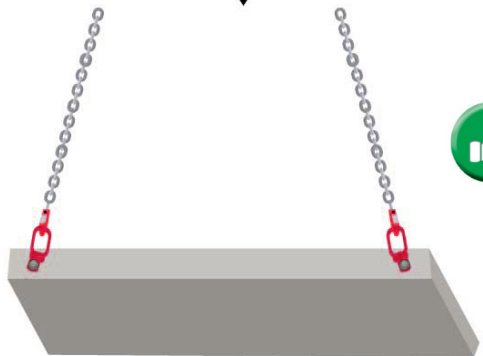
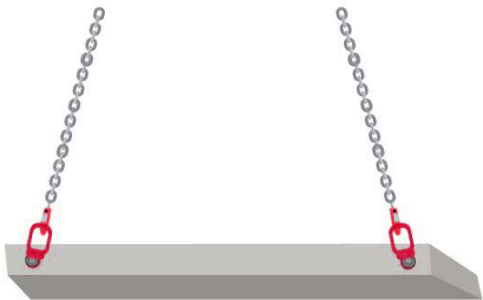
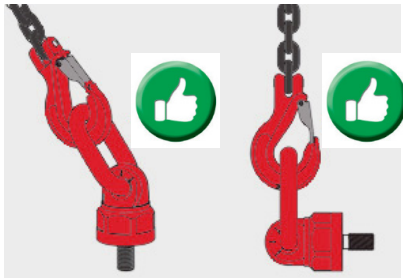
- visi ķēdes slinga kāju leņķi pret vertikāli nav mazāki par 15° ; un
- visi ķēdes stropes kājas leņķi pret vertikāli ir 15° robežās viens no otra; un
- trīs un četru kāju ķēdes stropu gadījumā plānveida leņķi ir 15° robežās viens no otra.

Ja visi iepriekš minētie parametri nav izpildīti, tad slodze jāuzskata par asimetrisku un pacēlājs jānodod kompetentai personai, lai noteiktu drošu novērtējumu. Alternatīvi, asimetriskas slodzes gadījumā ķēdes stropei jābūt novērtētai ar pusi no marķētās WLL.



Slodzes simetrija

Atjauts izmantot / Aizliegts izmantot



Pacelšanas punktu glabāšana

Kad pacelšanas ierīces netiek izmantotas, tās parasti jāglabā uz pareizi konstruēta statīva. Tos nedrīkst atstāt uz zemes, kur tos var sabojāt. Ja ir paredzams, ka izstrādājumi kādu laiku netiks izmantoti, tie jānotīra, jāizžāvē un jāaizsargā pret koroziju, piemēram, viegli jāeļļo.

Pārbaude un apkope

Ikdienas pārbaude

Ekspluatācijas laikā pacelšanas punkti tiek pakļauti apstākļiem, kas var ietekmēt to drošību. Tāpēc katru dienu ir jāpārbauda un jānodrošina, ka pacelšanas punkti ir droši turpmākai lietošanai. Pacelšanas punkts jāizslēdz no ekspluatācijas un jānodod kompetentai personai rūpīgai pārbaudei, ja pirms katras lietošanas reizes tiek novērots kāds no turpmāk minētajiem apstākļiem:

- Pārbaudiet, vai visi marķējumi ir salasāmi.
- Pārbaudiet, vai nav tādu defektu kā nodilums, deformācija, iegriezumi, iegriezumi, iegriezumi, mērījumi, plaisas, korozija vai citi redzami defekti, kas varētu ietekmēt drošību.
- Pārbaudiet, vai lodīšu gultņu šarnīrs var viegli griezties un vai tam nav pārmērīgas brīvkustības.
- Pārliedzinieties, vai pacelšanas punkta WLL ir pietiekama paceltajai kravai.
- Pārliedzinieties, vai pacelšanas punkts ir cieši pieskrūvēts pie konstrukcijas un vai pacelšanas punkts var brīvi griezties un grozīties bez šķēršļiem lietošanas leņķos.

Rūpīga pārbaude

Kompetentai personai ne retāk kā reizi divpadsmit mēnešos jāveic rūpīga pārbaude. Šim intervālam jābūt īsākam, ja to uzskata par nepieciešamu, ņemot vērā ekspluatācijas apstākļus. Par šādām pārbaudēm jāveic uzskaitē.

Pirms pārbaudes izstrādājumi būtu rūpīgi jānotīra, lai tie būtu brīvi no eļļas, netīrumiem un rūsas. Ir pieļaujama jebkura tīrīšanas metode, kas nebojā pamatmetālu. Jāizvairās no metodēm, kurās izmanto skābes, pārkaršanas, metāla noņemšanas vai metāla pārvietošanas, kas var aizklāt plaisas vai virsmas defektus.

Jānodrošina pietiekams apgaismojums, lai varētu konstatēt nodiluma, deformācijas vai ārējo bojājumu pazīmes.

Sastāvdaļas, kas ir nolietotas, deformētas, saplaisājušas, redzami deformētas, stipri korodējušas vai ar nogulsniem, kuras nevar noņemt, jāizmet un jānomaina. Nelielus bojājumus, piemēram, iegriezumus un iegriezumus, var novērst, rūpīgi slīpējot vai slīpējot. Virsmai vienmērīgi jāsaļaucas ar blakus esošo materiālu, strauji nemainot šķērsriezumu. Pilnīga bojājumu novēršana nedrīkst samazināt sekcijas biezumu šajā vietā līdz mazākam par ražotāja noteiktajiem minimālajiem izmēriem vai par vairāk nekā 10 % no sekcijas nominālā biezuma. Pārbaudiet vītņotās skrūves stāvokli. Pārbaudiet, vai lodīšu gultņa šarnīrs var viegli griezties un vai tam nav pārmērīga brīvkustība.

Remonts: Izmantojiet tikai oriģinālās rezerves daļas.

Lietošanas beigas / iznīcināšana

Pacelšanas punktus šķiro/ nodod metāllūžņos kā vispārējus tērauda lūžņus.

Atruna

Mēs paturam tiesības mainīt izstrādājumu dizainu, materiālus, specifikācijas vai instrukcijas bez iepriekšēja brīdinājuma un bez saistībām pret citiem.

Ja izstrādājums tiek jebkādā veidā modificēts vai ja tas tiek kombinēts ar nesaderīgu izstrādājumu/komponentu, mēs neuzņemamies atbildību par sekām, kas saistītas ar izstrādājuma drošību.

EK atbilstības deklarācija

SCM Citra OY

Asessorinkatu 3-7

20780 Kaarina, Somija

www.powertex-products.com

ar šo deklarē, ka iepriekš aprakstītais POWERTEX produkts atbilst EK Mašīnu direktīvai 2006/42/EK.

Marķēšana

POWERTEX pacelšanas punktiem LPB ir **CE** un **UKCA** marķējums.



Lietotāja rokasgrāmatas

Derīgas un atjauninātas lietotāja rokasgrāmatas vienmēr ir pieejamas tīmeklī. Rokasgrāmata tiek pastāvīgi atjaunināta un ir derīga tikai jaunākajā versijā.

NB! Angļu valodas versija ir oriģinālā instrukcija.

Rokasgrāmata ir pieejama lejuplādēšanai pēc šādas saites:
www.powertex-products.com/manuals.



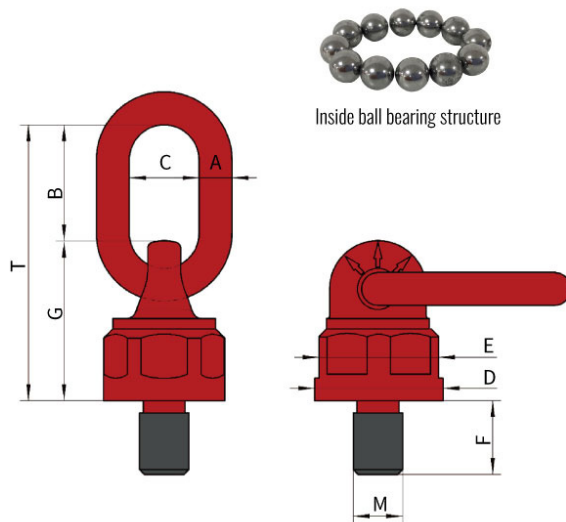
Produktu atbilstība un atbilstība

SCM Citra OY
Asessorinkatu 3-7
20780 Kaarina Somija
Somija
www.powertex-products.com



POWERTEX kėlimo taškas su rutulinio guolio jungtimi LPB Naudojimo instrukcija (LT)

Data and dimensions POWERTEX LPB



MATMENYS IR SUKIMO JĖGA

Modelis	Gijos M (mm)	F (mm)	A (mm)	B (mm)	C (mm)	D (mm)	E (mm)	G (mm)	T Nm	Sumažinimo Nm
LPB-M8	M8 x 1.25-6g	12	12	44	30	40	37	46	98	10-40
LPB-M10	M10 x 1.5-6g	19	12	44	30	40	37	46	98	10-40
LPB-M12	M12 x 1.75-6g	19	12	44	30	40	37	46	98	15-40
LPB-M16	M16 x 2.0-6g	31.8	12	44	30	40	37	46	98	45-130
LPB-M20	M20 x 2.5-6g	38.1	20	67	40	70	64.3	76	160	100-170
LPB-M24	M24 x 3.0-6g	38.1	20	67	40	70	64.3	76	160	190-280
LPB-M30	M30 x 3.5-6g	50	22	95	51	79	74	91	206	270-600
LPB-M36	M36 x 4.0-6g	54	22	95	51	79	74	91	206	270-600
LPB-M42	M42 x 4.5-6g	63	26	108	65	93	85	100.5	230.5	350-800
LPB-M48	M48 x 5.0-6g	68	26	108	65	93	85	100.5	230.5	350-800
LPB-M56	M56 x 5.5-6g	84	32	120	70	105	95	132	278	350-900
LPB-M64	M64 x 6.0-6g	95	32	120	70	105	95	132	278	500-1000

Apkrovos diagrama LPB

Darbo temperatūra nuo -40°C iki +200°C be WLL sumažinimo.

Pastaba: Produktas pažymėtas mažiausia WLL iš diagramos. Tiesioginiame vertikaliame kėlimo centrelyje WLL leidžiama būti didesniai nei pažymėtame bendrame WLL.

Apkrova									
Apkrovos kampas	0	90	0	90	0-45	45-60	0-45	45-60	Asimetrinis
Apkrovos faktorius	1		1		1.4	1	2.1	1.5	1
Modelis	Darbo apkrovos limitas WLL (t)								
LPB-M8	0.6	0.4	1.2	0.8	0.6	0.4	0.8	0.6	0.4
LPB-M10	0.9	0.6	1.8	1.2	0.8	0.6	1.3	0.9	0.6
LPB-M12	1.2	0.7	2.4	1.4	1.0	0.7	1.5	1.1	0.7
LPB-M16	2.6	1.5	5.2	3	2.1	1.5	3.2	2.3	1.5
LPB-M20	4	2.5	8	5	3.5	2.5	5.3	3.8	2.5
LPB-M24	7	4	14	8	5.6	4	8.4	6	4
LPB-M30	10	6	20	12	8.4	6	12.6	9	6
LPB-M36	15	10	30	20	14	10	21	15	10
LPB-M42	17	13	34	26	18.2	13	27.3	19.5	13
LPB-M48	18	14	36	28	19.6	14	29.4	21	14
LPB-M56	28	20	56	4	28	20	42	30	20
LPB-M64	28	20	56	40	28	20	42	30	20

SPĖJIMAS

Darbas su kėlimo įrenginiais ir įranga turi būti planuojamas, organizuojamas ir atliekamas taip, kad būtų išvengta pavojingų situacijų. Laikantis nacionalinių teisės aktų, kėlimo įrenginiai ir įranga gali būti naudojami tik asmenų, gerai išmanančių darbą ir turinčių teorines bei praktines saugaus naudojimo žinias. Prieš naudojant įrangą, būtina perskaityti naudojimo instrukciją. Joje pateikiama svarbi informacija, kaip įranga veiks saugiai ir teisingai. Nesilaikant šios instrukcijos nurodymų, gali kilti rimtų pasekmių, pvz., sužalojimo rizika. Be naudojimo instrukcijos, mes remiamės esamais nacionaliniais teisės aktais, kurie gali pakeisti šias instrukcijas.

Bendras aprašymas

POWERTEX LPB kėlimo taškai yra skirti naudoti kaip kėlimo įranga, tiesiogiai montuojama ant krovinio, kad jį pakeltų, arba kaip kėlimo surinkimo dalys, pavyzdžiui, kėlimo strypas, kėlimo diržas ir t.t. LPB turi rutulinio guolio suktuką, leidžiantį jį sukėti taip pat ir apkrovos metu. POWERTEX LPB kėlimo taškai atitinka visas aktualias 2006/42/EB mašinų direktyvos ir jos naujausių pataisų reikalavimus.

Naudojimas nepalankiose aplinkose

Temperatūros poveikis darbinei apkrovos ribai (WLL): reikia atsižvelgti į paslaugos metu pasiekiamą temperatūrą. POWERTEX LPB kėlimo taškus galima naudoti temperatūrose nuo -40°C iki +200°C nemažinant darbinės apkrovos ribų.
Rūgštinės sąlygos: Aukštos stiprybės kėlimo komponentai neturėtų būti naudojami panardinant į rūgštinius tirpalus arba veikiant rūgščių garų. Dėl tos pačios priežasties jie neturėtų būti karšto cinkavimo arba elektrolitinio apdailos būdu be gamintojo leidimo.
Cheminių medžiagų poveikis: jei produktai bus veikiami cheminių medžiagų, ypač derinant su aukštomis temperatūromis, pasitarkite su savo platintoju.
Pavojingos sąlygos: ypač pavojingomis sąlygomis, įskaitant jūrų veiklą, žmogaus kėlimą ir potencialiai pavojingų krovinių, tokių kaip lydyti metalai, korozinės medžiagos ar skilimo medžiagos, kėlimą, reikia įvertinti pavojų laipsnį ir atitinkamai koreguoti darbinę apkrovos ribą.

Naudojimo temperatūros diapazonas

-40 iki +200°C be WLL sumažinimo
+200 iki +300°C leidžiama su 10% WLL sumažinimu
+300 iki +400°C leidžiama su 25% WLL sumažinimu

Žymėjimas

Bendrasis POWERTEX LPB kėlimo taškų žymėjimas:
- Darbinė apkrovos riba (WLL), pvz., WLL 0,4t
- Gamintojo simbolis, pvz., POWERTEX arba PX
- Modelio pavadinimas – Dydis, pvz., LPB-M8
- Sekimo kodas, pvz., F2 (nurodantis konkrečią partiją)
- Atitikties žymės CE + UKCA

Medžiaga ir apdaila

POWERTEX LPB kėlimo taškai yra kalti iš aukštos stiprybės lydinio plieno, o dalys yra dažytos elektrostatiiniu milteliu. Suvirintos grandinės yra bandomos 2,5 x WLL apkrova. Kitos apkrovą nešančios dalys yra tikrinamos dėl įtrūkimų.

Pasirinkimas

Pasirinkite kėlimo taško tipą, sriegio dydį ir tinkamą darbinę apkrovos ribą konkrečiai paskirčiai. Jei gali kilti ekstremalios sąlygos, vibracija ar smūginė apkrova, tai turi būti tinkamai atsižvelgiama renkantis tinkamą kėlimo tašką.

Prieš pirmąjį naudojimą

Įsitinkite, kad pristatyti kėlimo taškai atitinka užsakymą ir kad prieinami sertifikatas bei Atitikties deklaracija. Palaikykite viso kėlimo įrangos registro ir įsitinkite, kad jie reguliariai tikrinami dėl tinkamumo naudoti.

Surinkimas ir naudojimas

Jei nebus įvykdytas bet kuris iš šių patikros punktų, kėlimo taško naudoti negalima:

- Patikrinkite, ar visi žymėjimai yra skaitomi.
- Patikrinkite, ar nėra defektų, tokių kaip nusidėvėjimas, deformacija, įpjovimai, įbrėžimai, matavimai, įtrūkimai, korozija ar kiti matomi defektai, kurie galėtų paveikti saugumą.

Įsitinkite, kad kėlimo taško WLL yra pakankamas keltinai naštai, žr. WLL lentelę. Kėlimo taškas turėtų būti sandariai priveržtas prie konstrukcijos arba naštos naudojant momentinį raktą. Jei yra vibracijos rizika ir pan., reikėtų apsvarstyti Loctite ar kitas tvirtinimo priemones. Įsitinkite, kad sumontavus kėlimo taškas gali laisvai sukėti ir pasukti be jokių kliūčių numatytuose naudojimo kampuose. Pravertos skylės turi būti pakankamai gilios, kad apačioje esantis kėlimo taškas būtų palaikomas kontakto paviršiaus. Sriegiama skylė turi būti padaryta statmenai kontakto paviršiui, o kontakto paviršius turi būti plokščias ir išmatuotas taip, kad tilptų kėlimo taškas.

Rekomenduojamos minimalios sriegio ilgiai skirtingoms medžiagoms atsižvelgiant į metrinio sriegio skersmenį:

- 1 x M plienui
- 1,25 x M geležiai
- 2 x M aliuminio lydiniams
- 2,5 x M aliuminio-magnezio lydiniams

Kai sumontuota, nustatykite ryšį taip, kad jį būtų galima tiesiogiai prijungti prie kėlimo mašinos arba tarpinės kėlimo įrangos, kad būtų atliekama kėlimo operacija.

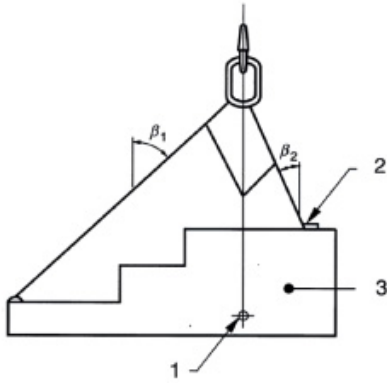
Saugumas keldami

Kėlimo įrangos darbinis apkrovos limitas niekada neturėtų būti viršijamas. Rankos ir kūno dalys turėtų būti laikomos toli, kad būtų išvengta sužalojimų, kai pašalinama laisvė. Krovinys turėtų būti kiek pakeltas be smūgių ir patikrintas, ar jis yra saugus ir užima ketinamą padėtį. Kėlimo personalas turi būti informuotas apie svyravimo ir pasvirimo apkrovų riziką. Niekomet neleiskite žmonėms ar kūno dalims būti po pakabinta našta. Neleiskite žmonėms važiuoti ant krovinio, kai jis keliamas. Nusileidimo vieta turėtų būti gerai paruošta. Turėtų būti užtikrinta, kad žemė ar grindys būtų pakankamai stiprios, kad galėtų palaikyti krovinį. Taip pat turėtų būti užtikrinta, kad prie nusileidimo vietos būtų lengvai prieinama ir kad ji būtų laisva nuo bet kokių nereikalingų kliūčių ir žmonių. Krovinys turėtų būti nuleistas atsargiai, užtikrinant, kad kūno dalys būtų saugios. Užtikrinkite krovinio stabilumą nusileidus prieš pašalinant kėlimo įrangą.

Masės centras

Norint išvengti krovinio svyravimo ar sukimosi, svarbu simetriškai išdėstyti kėlimo taškus virš krovinio masės centro:

- Vieno taško kėlime pritvirtinimo taškas turėtų būti išdėstytas vertikaliai virš masės centro.
- Dviejų taškų kėlime pritvirtinimo taškai turėtų būti išdėstyti abiejose masės centro pusėse ir virš jo.
- Trijų ir keturių taškų kėlime pritvirtinimo taškai turėtų būti simetriškai išdėstyti plokštumoje aplink ir virš masės centro. Pageidautina, kad pasiskirstymas būtų vienodas ir kad pritvirtinimo taškai būtų virš masės centro.



1. Svorio centras
2. didelis įtempimas šioje kojoje
3. apkrova P

Krovinio simetrija

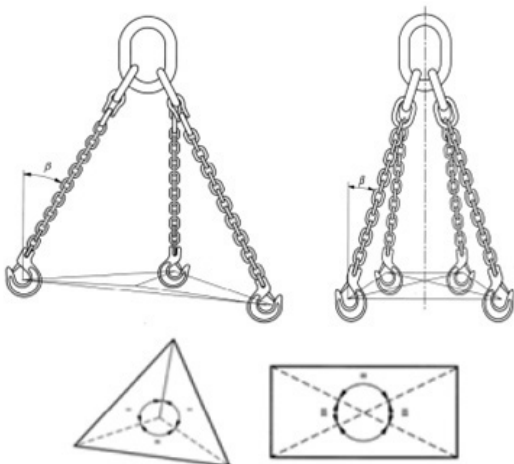
Įvairių konfigūracijų darbiniai apkrovos limitai (WLL) nustatyti remiantis simetrijos principu. Tai reiškia, kad keldami krovinį, kėlimo taškai yra simetriškai išdėstyti plokštumoje ir sudaro tokius pačius kampus su vertikale.

Jeigu grandininis diržų su 2, 3 ar 4 kojomis kojos sudaro skirtingus kampus su vertikale, didžiausia įtampa bus kojoje su mažiausiu kampu iki vertikalės. Ekstremaliu atveju, jei viena koja yra vertikali, ji neš visą krovinį.

Galima manyti, kad krovinys yra simetriškas, jei tenkinamos visos šios sąlygos ir krovinys yra mažesnis nei 80% pažymėto WLL:

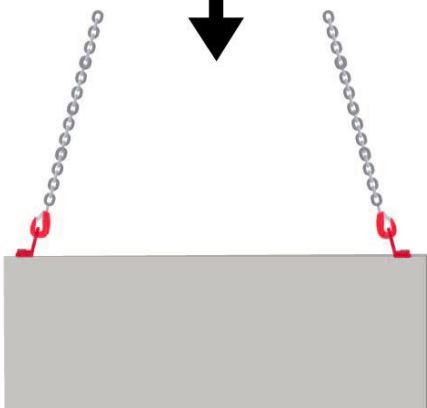
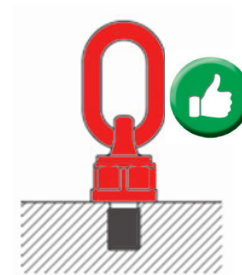
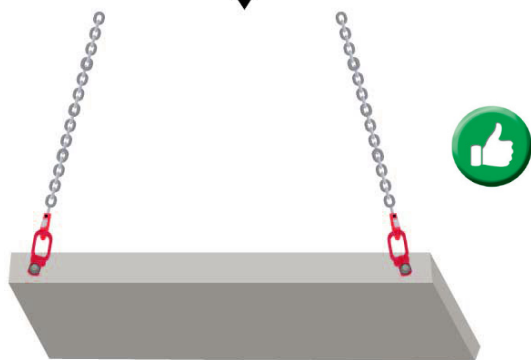
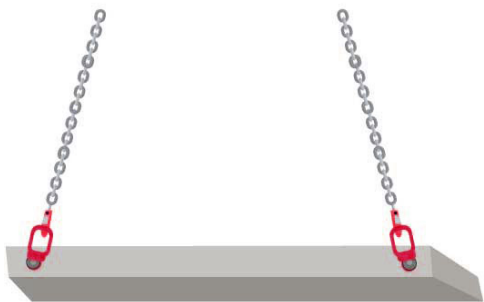
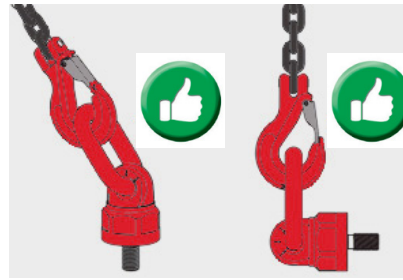
- visų grandinininių diržų kojų kampai vertikaliai nėra mažesni nei 15°; ir
- visų grandinininių diržų kojų kampai vertikaliai yra ne didesni nei 15° tarpusavyje; ir
- trijų ir keturių kojų grandinininių diržų atveju planų kampai yra ne didesni nei 15° tarpusavyje.

Jei nėra tenkinamos jokia iš aukščiau nurodytų sąlygų, tada apkrovos laikoma asimetrine, ir kėlimą reikia perduoti kompetentingam asmeniui, kuris nustatys saugaus įvertinimo lygį. Alternatyviai, asimetriškoje apkrovoje grandininis diržas turėtų būti įvertintas pusiau mažesniu nei pažymėtas WLL.



Apkrovos simetrija

Leidžiama naudoti / Draudžiama naudoti



Kėlimo taškų laikymas

Kai kėlimo taškai nenaudojami, juos paprastai reikia laikyti ant tinkamai suprojektuoto lentynos. Juos negalima palikti gulėti ant žemės, kur jie gali būti pažeisti. Jei tikėtina, kad produktai ilgą laiką nebus naudojami, juos reikia išvalyti, išdžiovinti ir apsaugoti nuo korozijos, pvz., lengvai patepti alyva.

Tikrinimas ir priežiūra

Kasdienis tikrinimas

Paslaugos metu kėlimo taškai yra veikiami sąlygų, kurios gali paveikti jų saugumą. Todėl būtina kasdien tikrinti ir užtikrinti, kad kėlimo taškai būtų saugūs tolimesniam naudojimui. Kėlimo taškas turėtų būti pašalintas iš eksploatacijos ir perduotas kompetentingam asmeniui, jei prieš kiekvieną naudojimą pastebima bet kuri iš šių problemų:

- Patikrinkite, ar visi žymėjimai yra aiškūs.
- Patikrinkite, ar nėra defektų, tokių kaip dėvėjimasis, deformacija, įtrūkimai, įbrėžimai, įtrūkimai, įtrūkimai, korozija ar kiti matomi defektai, kurie galėtų paveikti saugumą.
- Patikrinkite, ar rutulinis guolis lengvai gali pasukti ir neturi per didelio laisvo judėjimo.
- Užtikrinkite, kad kėlimo taško našumas būtų pakankamas pakelti apkrovą.
- Užtikrinkite, kad kėlimo taškas būtų tvirtai pritvirtintas prie konstrukcijos ir kad kėlimo taškas galėtų laisvai pasukti ir pasvirkti be jokių kliūčių naudojimo kampuose.

Išsamus tyrimas

Išsamus tyrimas turėtų būti atliekamas kompetentingo asmens per ne ilgesnį kaip dvylikos mėnesių intervalą. Šis intervalas turėtų būti mažesnis, jei tai laikoma būtinu atsižvelgiant į paslaugos sąlygas. Tokių tyrimų įrašai turi būti tvarkomi.

Prieš tyrimą produktai turi būti kruopščiai išvalyti, kad nebūtų alyvos, purvo ir rūdžių. Priimtinas bet koks valymo metodas, kuris nesugadina pagrindinio metalo. Metodai, kurių reikia vengti, yra tie, kurie naudoja rūgštis, perkaitimas, metalo pašalinimas ar metalo judėjimas, kuris gali uždengti įtrūkimus ar paviršiaus defektus.

Reikia užtikrinti pakankamą apšvietimą, kad būtų galima aptikti bet kokius dėvėjimosi, iškraipymo ar išorės pažeidimų požymius.

Dalių, kurios yra dėvimos, iškraipytos, įtrūkusios, matomai iškraipytos, stipriai pažeistos korozijos ar turi dalelių, kurias neįmanoma pašalinti, reikia išmesti ir pakeisti. Smulkūs pažeidimai, tokie kaip įtrūkimai ir įbrėžimai, gali būti pašalinti kruopščiu šlifavimu ar šveitimu. Paviršius turėtų sklandžiai persipinti su gretimu medžiaga be staigių skyrių pokyčių. Visiškas pažeidimo pašalinimas neturėtų sumažinti skyriaus storio taške iki mažiau nei gamintojo nurodytų minimalių matmenų arba daugiau nei 10% nominalaus skyriaus storio. Patikrinkite gręžinio bulto būklę.

Patikrinkite, ar rutulinis guolis lengvai gali pasukti ir neturi per didelio laisvo judėjimo.

Remontas: Naudojamos tik originalios atsarginės dalys.

Naudotojo atsiskaitymo išsaugojimas / Šalinimas

Kėlimo taškai turi būti surūšiuoti / pašalinti kaip bendro plieno šiukšlės.

Atsisakymas

Mes pasiliegame teisę keisti produkto dizainą, medžiagas, specifikacijas ar instrukcijas be išankstinio įspėjimo ir be įsipareigojimo kitoms šalims. Jei produktas yra modifikuotas bet koku būdu arba jei jis sujungtas su nesuderinamu produkto / komponento, mes neprisiimame jokios atsakomybės dėl produkto saugumo padarinių.

EC atitikties deklaracija

SCM Citra OY

Asessorinkatu 3-7

20780 Kaarina, Suomija

www.powertex-products.com

šiuo pranešimu patvirtina, kad POWERTEX produktas, kaip aprašytas aukščiau, atitinka EC Mašinų direktyvą 2006/42/EC.

Žymėjimas

POWERTEX kilpos LPB yra **CE** ir **UKCA** pažymėtos.



Vartotojo vadovai

Galite visada rasti galiojančius ir atnaujintus vartotojo vadovus internete. Vadovas nuolat atnaujinamas ir galioja tik naujausia versija.

NB! Originalus instrukcijų vadovas yra anglų kalba.

Vadovas yra prieinamas atsisiuntimui pagal šią nuorodą:
www.powertex-products.com/manuals



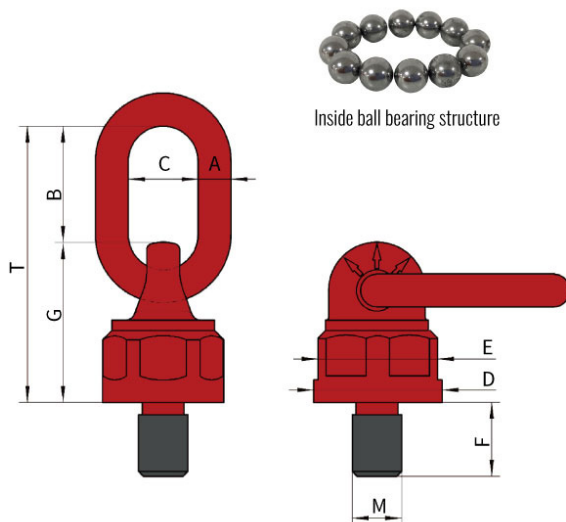
Produkto atitikimas ir suderinamumas



SCM Citra OY
Asessorinkatu 3-7
20780 Kaarina, Suomija
www.powertex-products.com

POWERTEX tõstepunkt koos kuullaagri ühendusega LPB Kasutusjuhend (EE)

Andmed ja mõõtmed POWERTEX LPB



DIMENSIONS & TORQUE

Model	Thread M (mm)	F (mm)	A (mm)	B (mm)	C (mm)	D (mm)	E (mm)	G (mm)	T Nm	Torque Nm
LPB-M8	M8 x 1.25-6g	12	12	44	30	40	37	46	98	10-40
LPB-M10	M10 x 1.5-6g	19	12	44	30	40	37	46	98	10-40
LPB-M12	M12 x 1.75-6g	19	12	44	30	40	37	46	98	15-40
LPB-M16	M16 x 2.0-6g	31.8	12	44	30	40	37	46	98	45-130
LPB-M20	M20 x 2.5-6g	38.1	20	67	40	70	64.3	76	160	100-170
LPB-M24	M24 x 3.0-6g	38.1	20	67	40	70	64.3	76	160	190-280
LPB-M30	M30 x 3.5-6g	50	22	95	51	79	74	91	206	270-600
LPB-M36	M36 x 4.0-6g	54	22	95	51	79	74	91	206	270-600
LPB-M42	M42 x 4.5-6g	63	26	108	65	93	85	100.5	230.5	350-800
LPB-M48	M48 x 5.0-6g	68	26	108	65	93	85	100.5	230.5	350-800
LPB-M56	M56 x 5.5-6g	84	32	120	70	105	95	132	278	350-900
LPB-M64	M64 x 6.0-6g	95	32	120	70	105	95	132	278	500-1000

Koormuse skeem LPB

Töotemperatuur -40° kuni +200°C ilma WLL vähendamiseta.

Märkus: Toode on tähistatud tabelis esitatud madalaima WLL-iga. Sirge vertikaalse tõstmise korral poldi keskjoonel võib WLL olla suurem kui märgitud üldine WLL.

Model	Working Load Limit WLL (t)								
LPB-M8	0.6	0.4	1.2	0.8	0.6	0.4	0.8	0.6	0.4
LPB-M10	0.9	0.6	1.8	1.2	0.8	0.6	1.3	0.9	0.6
LPB-M12	1.2	0.7	2.4	1.4	1.0	0.7	1.5	1.1	0.7
LPB-M16	2.6	1.5	5.2	3	2.1	1.5	3.2	2.3	1.5
LPB-M20	4	2.5	8	5	3.5	2.5	5.3	3.8	2.5
LPB-M24	7	4	14	8	5.6	4	8.4	6	4
LPB-M30	10	6	20	12	8.4	6	12.6	9	6
LPB-M36	15	10	30	20	14	10	21	15	10
LPB-M42	17	13	34	26	18.2	13	27.3	19.5	13
LPB-M48	18	14	36	28	19.6	14	29.4	21	14
LPB-M56	28	20	56	4	28	20	42	30	20
LPB-M64	28	20	56	40	28	20	42	30	20

HOIATUS

Töö tõsteseadmete ja -vahenditega peab olema planeeritud, organiseeritud ja teostatud, et vältida ohtlikke olukordi. Vastavalt siseriiklikele õigusaktidele tohib tõsteseadmeid ja -vahendeid kasutada ainult isik, kes on tööga hästi kursis ning kellel on teoreetilised ja praktilised teadmised ohutust kasutamisest. Enne seadme kasutamist tuleb lugeda kasutusjuhendit. See sisaldab olulist teavet selle kohta, kuidas seade ohutult ja õigesti töötab. Juhendi eeskirjade eiramine võib põhjustada tõsiseid tagajärgi, näiteks vigastuste ohtu. Lisaks kasutusjuhendile viidatakse kehtivatele riiklikele eeskirjadele, mis võivad asendada käesolevat kasutusjuhendit.

Üldine kirjeldus

POWERTEX LPB tõstepunktid on ette nähtud kasutamiseks tõsteseadmena, mis paigaldatakse otse koormale, et seda tõsta, või kasutatakse tõstekomplekti osana, nagu tõstepalk, tõstevanker jne. LPB-l on kuullaagritega pöörlev osa, mis võimaldab seda pöörata ka koormuse all. POWERTEX LPB tõstepunktid vastavad kõigile masinadirektiivi 2006/42/EÜ ja selle viimaste muudatuste asjakohastele nõuetele.

Kasutamine ebasoodsas keskkonnas

Temperatuuri mõju töökoormuse piirnormile (WLL): Tuleb arvestada temperatuuriga, mis võib kasutamisel tekkida. POWERTEX LPB tõstepunkte võib kasutada temperatuuridel vahemikus -40°C kuni +200°C ilma töökoormuse piirväärtusi vähendamata.

Happelised tingimused: Kõrgetasemelisi tõstekomponente ei tohi kasutada happelistes lahustes ega happekaasustega kokkupuutes. Samal põhjusel ei tohi neid ilma tootja loa kuumtsingitud või elektrolüütilise viimistlusega kokku puutada.

Keemiline mõju: Konsulteerige oma edasimüüjaga, kui tooteid kavatakse kokku puutada kemikaalidega, eriti kombineerituna kõrgete temperatuuridega.

Ohtlikud tingimused: Eriti ohtlikes tingimustes, sealhulgas avameretööl, inimese tõstmisel ja potentsiaalselt ohtlike koormate, näiteks sulametallide, söövitavate materjalide või lõhustavate materjalide tõstmisel, peab pädev isik hindama ohu astet ja töökoormuse piirnormi vastavalt kohandama.

Kasutage temperatuurivahemikku

- 40 kuni +200°C ilma WLL-i vähendamata
- +200 kuni +300°C lubatud, kusjuures WLL väheneb 10%.
- +300 kuni +400°C lubatud, kui WLL väheneb 25%

Märgistus

POWERTEX LPB tõstepunktid on üldiselt märgistatud järgmiselt:

- Töökoormuse piirnorm (WLL), nt WLL 0,4t
- Tootja sümbol, nt POWERTEX või PX
- Mudeli nimi - Suurus, nt LPB-M8
- Jälgitavuse kood, nt F2 (tähistab konkreetset partiidi)
- Vastavusmärgid CE + UKCA

Materjal ja viimistlus

POWERTEX LPB tõstepunktid on sepietatud suure tugevusega legeritud terasest ja osad on elektrostaatiliselt pulbervärvitud. Keevitatud lingid on kontrollitud 2,5 x WLL. Muud koormust kandvad osad on kontrollitud pragude tuvastamiseks.

Valik

Valige konkreetsele rakendusele sobiv tõstepunkti tüüp, keermesuurus ja töökoormuse piirväärtus. Kui võivad esineda äärmuslikud tingimused, vibratsioon või löökoormus, tuleb seda õige tõstepunkti valikul hästi arvesse võtta.

Enne esmakordset kasutamist

Veenduge, et tarnitud tõstepunktid vastavad tellimusele ning et sertifikaat ja vastavusdeklaratsioon on olemas. Pidage registrit kõigi tõstevahendite kohta ja veenduge, et neid kontrollitakse regulaarselt, et need oleksid kasutuskõlblikud.

Kokkupanek ja kasutamine

Kui mõni neist kontrollpunktidest ei ole täidetud, ei tohi tõstepunkti kasutada:

- Kontrollige, et kõik märgised oleksid loetavad.
- Kontrollige, et puuduvad defektid, nagu kulumine, deformatsioon, lõiked, sisselõiked, mõrad, praod, korrosioon või muud nähtavad defektid, mis võivad mõjutada ohutust.

Veenduge, et tõstepunkti WLL on tõstetavale koormusele piisav, vt WLL-tabelit. Tõstepunkt peab olema konstruktsiooni või koormuse külge tihedalt kinni keeratud, kasutades selleks pöördemomenti võtit. Vibratsiooni jms. ohu korral tuleb kaaluda Loctite'i või muid kinnitusvahendeid. Pärast paigaldamist tuleb veenduda, et tõstepunkt saab vabalt pöörelda ja pöörelda ilma takistusteta ettenähtud kasutamiskeskkonnas. Puuraugud peavad olema piisavalt sügavad, et tõstepunkti põhi toetuks kontaktpinnale. Keermestatud auk peab olema tehtud risti kontaktpinnaga ning kontaktpind peab olema tasane ja mõõtmetega, et tõstepunktile sobiks.

Erinevate materjalide soovitatavad minimaalsed keermepikkused seoses meetrilise keermeslõimimõõduga:

- 1 x M terase puhul
- 1,25 x M malmide puhul: 1,25 x M malmide puhul: 1,25 x M
- 2 x M alumiiniumsulamite puhul
- 2,5 x M alumiinium-magneesiumsulamite puhul

Paigaldamisel asetage lüli nii, et seda saab tõstetööde teostamiseks ühendada otse tõstemasinaga või vahepealse tõsteseadmega.

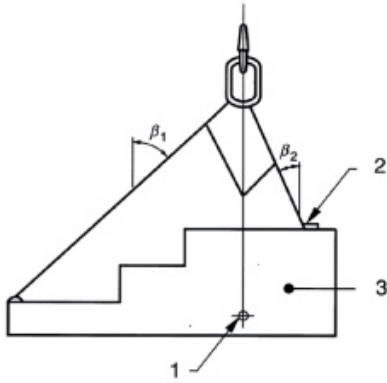
Ohutus tõstmisel

Tõsteseadme töökoormuse piirmäära ei tohi kunagi ületada. Käed ja muud kehaosad tuleb hoida eemal, et vältida vigastusi, kui lõtku üles tõstetakse. Koormat tuleb kergelt ja lõõgita tõsta ning kontrollida, et see oleks turvaline ja asuks ettenähtud asendis. Tõstetööde tegijad peavad olema teadlikud kiikuvate ja kallutatavate koormate ohust. Mitte kunagi ei tohi lasta inimesi või kehaosi rippuva koorma alla. Ärge lubage inimestel koormuse tõstmise ajal koormuse peal sõita. Maandumiskoht peab olema hästi ette valmistatud. Tuleb tagada, et maapind või põrand oleks koormuse kandmiseks piisavalt tugev. Samuti tuleb tagada, et maandumiskohale oleks piisav juurdepääs ning et see oleks vaba kõikidest ebavajalikest takistustest ja inimestest. Koormat tuleb maandada ettevaatlikult, tagades, et kehaosad ei satuks sinna. Enne tõsteseadmete eemaldamist tuleb veenduda, et koorem on maandumisel stabiilne.

Gravitatsioonikeskus

Koormuse kiikumise või pöörlemise vältimiseks on oluline paigutada tõstepunktid sümmeetriliselt koormuse raskuskeskme kohal:

- 1-punktilise tõsteseadme puhul tuleks kinnituspunkt paigutada vertikaalselt raskuskeskme kohal.
- 2-punktilise tõsteseadme puhul tuleks kinnituspunktid paigutada raskuskeskme mõlemale poole ja sellest kõrgemale.
- 3- ja 4-punktilise tõstuki puhul tuleks kinnituspunktid paigutada sümmeetriliselt raskuskeskme ümber ja selle kohal asuvas tasapinnas. Eelistatav on, et jaotumine oleks võrdne ja et kinnituspunktid oleksid raskuskeskme kohal.



1. raskuskeskme
2. kõrge pinge selles jalas
3. koormus P

Koormuse sümmeetria

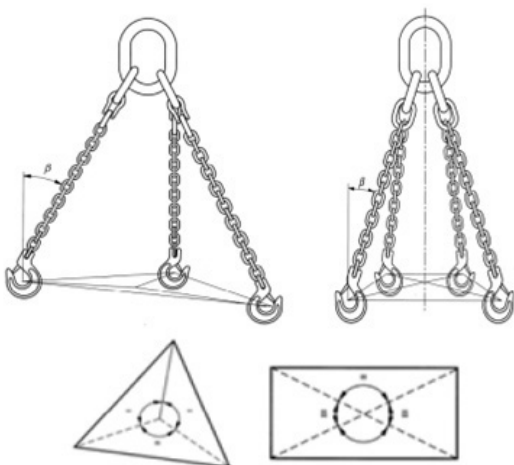
Erinevate konfiguratsioonide töökoormuse piirväärtused (WLL) on määratud lähtuvalt sellest, et koormus on sümmeetriline. See tähendab, et koormuse tõstmisel on tõstepunktid sümmeetriliselt paigutatud tasandile ja asuvad vertikaali suhtes samade nurkade all.

Kui 2-, 3- ja 4-jalgsete ketirihmade puhul on jalad vertikaali suhtes erineva nurga all, on suurim pinge jalas, mille nurk vertikaali suhtes on kõige väiksem. Äärmisel juhul, kui üks jalg on vertikaalne, kannab see kogu koormust.

Kui kõik järgmised tingimused on täidetud ja koormus on väiksem kui 80% märgitud WLL-st, võib koormust pidada sümmeetriliseks:

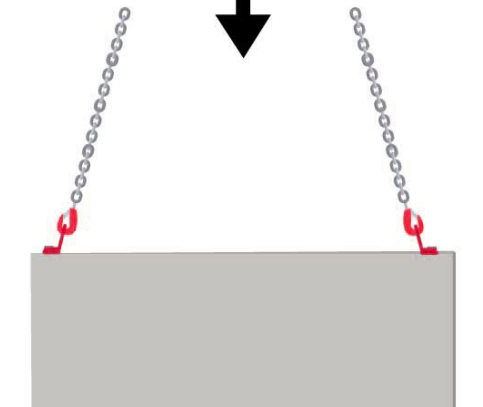
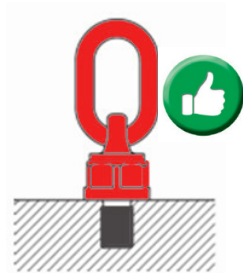
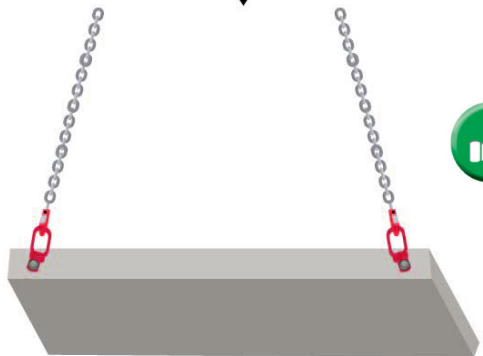
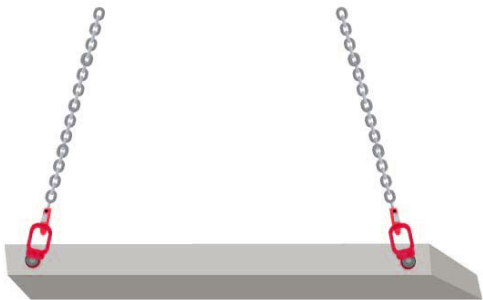
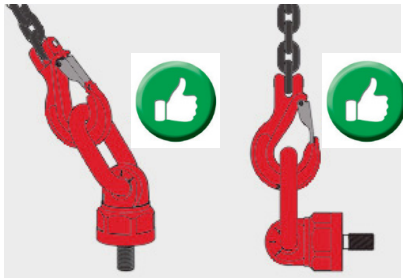
- a) ahelarihma jalgade nurgad vertikaali suhtes on kõik vähemalt 15° ja
- b) ketirihma jalgade nurgad vertikaali suhtes on kõik omavahel 15° piires ja
- c) kolme- ja neljajalgsete ketirihmade puhul on tasapinnalised nurgad üksteise suhtes 15° piires.

Kui kõik eespool nimetatud parameetrid ei ole täidetud, tuleks koormust pidada asümmeetriliseks ja suunata tõstuk pädevale isikule, et määrata kindlaks ohutu koormus. Asümmeetrilise koormuse korral tuleks alternatiivina hinnata ketirihma pooleks märgitud WLL-ist.



Koormuse sümmeetria

Lubatud kasutamine / Keelatud kasutamine



Tõstepunktide ladustamine

Kui tõstepunkte ei kasutata, tuleb neid tavaliselt hoida nõuetekohaselt konstrueeritud riulil. Neid ei tohiks jätta maapinnale lamama, kus need võivad kahjustada. Kui on tõenäoline, et tooteid ei kasutata mõnda aega, tuleks need puhastada, kuivatada ja kaitsta korrosiooni eest, nt kergelt õlitada.

Kontrollimine ja hooldus

Igapäevane kontroll

Kasutamise ajal puutuvad tõstepunktid kokku tingimustega, mis võivad mõjutada nende ohutust. Seetõttu on vaja iga päev kontrollida ja tagada, et tõstepunktid on jätkuvaks kasutamiseks ohutud. Tõstepunkt tuleb kasutuselt kõrvaldada ja suunata pädevale isikule põhjalikuks kontrollimiseks, kui enne iga kasutamist täheldatakse mis tahes järgmist:

- Kontrollida, et kõik märgised on loetavad.
- Kontrollige, et puuduvad defektid, nagu kulumine, deformatsioon, lõiked, sisselõiked, mõrad, praod, korrosioon või muud nähtavad defektid, mis võivad mõjutada ohutust.
- Kontrollige, et kuullaagri pöörlev osa saaks kergesti pöörelda ja et sellel ei oleks liigset mängu.
- Veenduge, et tõstepunkti WLL on tõstetavale koormale piisav.
- Veenduge, et tõstepunkt on tihedalt konstruktsiooni külge kruvitud ja et tõstepunkt saab vabalt pöörelda ja pöörelda ilma takistusteta kasutamiskeskkonnas.

Põhjalik uurimine

Pädev isik peaks teostama põhjaliku kontrolli mitte sagedamini kui kaheteistkümne kuu tagant. See ajavahemik peaks olema lühem, kui seda peetakse kasutustingimusi silmas pidades vajalikuks. Selliste kontrollide kohta tuleks säilitada andmed.

Tooted tuleks enne kontrollimist põhjalikult puhastada, et need oleksid vabad õlist, mustusest ja roostest. Lubatud on mis tahes puhastusmeetod, mis ei kahjusta algset metalli. Vältida tuleb meetodeid, mille puhul kasutatakse happeid, ülekuumenemist, metalli eemaldamist või metalli liigutamist, mis võib katta pragusid või pinnavigastusi.

Kulumise, moonutuse või välise kahjustuse märkide avastamiseks tuleb tagada piisav valgustus.

Komponendid, mis on kulunud, deformeerunud, pragunenud, nähtavalt moonutatud, tugevalt korrodeerunud või millel on ladestusi, mida ei ole võimalik eemaldada, tuleb ära visata ja asendada. Väiksemad kahjustused, nagu sisselõiked ja mõrad, võib eemaldada hoolika lihvimise või viilimise teel. Pind peab sujuvalt sulanduma naabermaterjaliga ilma järskude lõikemuutusteta. Kahjustuse täielik eemaldamine ei tohiks vähendada ristlõike paksust selles kohas alla tootja poolt ettenähtud miinimummõõtmete või rohkem kui 10% ulatuses ristlõike nimipaksusest. Kontrollige keermeosade seisundit. Kontrollida, et kuullaagri pöörleva osa pöörlemine oleks kerge ja et sellel ei oleks liigset mängu.

Remont: Kasutage ainult originaalvaruosasid.

Kasutamise lõpp / kõrvaldamine

Tõstepunktid sorteeritakse / lammutatakse kui üldine terasjäätmed.

Vastutusnõue

Me jätame endale õiguse muuta toote disaini, materjale, spetsifikatsioone või juhiseid ilma eelneva etteteatamiseta ja ilma teiste ees kohustusi võtmata.

Kui toodet muudetakse mis tahes viisil või kui seda kombineeritakse mittesobiva toote/komponendiga, ei võta me mingit vastutust toote ohutusega seotud tagajärgede eest.

EÜ vastavusdeklaratsioon

SCM Citra OY

Asessorinkatu 3-7

20780 Kaarina, Soome

www.powertex-products.com

kinnitab käesolevaga, et eespool kirjeldatud POWERTEX toode vastab EÜ masinadirektiivile 2006/42/EÜ.

Märgistus

POWERTEXi töstepunktid LPB kannavad **CE**- ja **UKCA**-märgistust.



Kasutusjuhendid

Kehtivad ja ajakohastatud kasutusjuhendid leiata alati veebist.
Käsiraamatut uuendatakse pidevalt ja see kehtib ainult viimases versioonis.

NB! Inglisekeelne versioon on originaaljuhend.

Kasutusjuhend on allalaaditav alljärgneva lingi all:
www.powertex-products.com/manuals.



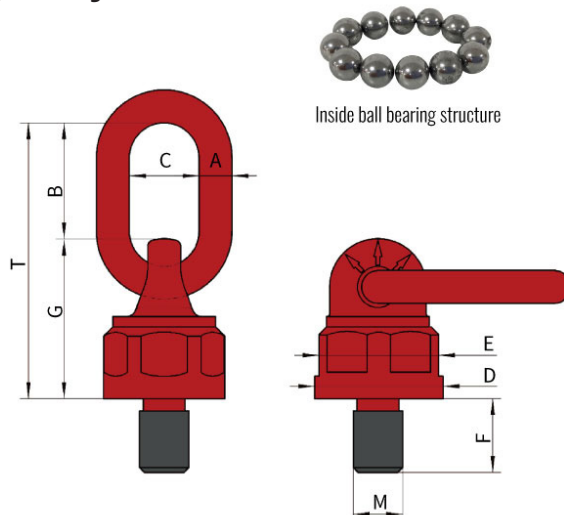
Toote nõuetele vastavus ja vastavus



SCM Citra OY
Asessorinkatu 3-7
20780 Kaarina Soome
Soome
www.powertex-products.com

Punkt mocowania POWERTEX z połączeniem na łożysku kulkowym LPB Instrukcja użytkowania (PL)

Dane i wymiary POWERTEX LPB



WYMIARY I MOMENT OBROTOWY

Model	Rozmiar gwintu M (mm)	F (mm)	A (mm)	B (mm)	C (mm)	D (mm)	E (mm)	G (mm)	T (mm)	Moment obrotowy (Nm)
LPB-M8	M8 x 1.25-6g	12	12	44	30	40	37	46	98	10-40
LPB-M10	M10 x 1.5-6g	19	12	44	30	40	37	46	98	10-40
LPB-M12	M12 x 1.75-6g	19	12	44	30	40	37	46	98	15-40
LPB-M16	M16 x 2.0-6g	31.8	12	44	30	40	37	46	98	45-130
LPB-M20	M20 x 2.5-6g	38.1	20	67	40	70	64.3	76	160	100-170
LPB-M24	M24 x 3.0-6g	38.1	20	67	40	70	64.3	76	160	190-280
LPB-M30	M30 x 3.5-6g	50	22	95	51	79	74	91	206	270-600
LPB-M36	M36 x 4.0-6g	54	22	95	51	79	74	91	206	270-600
LPB-M42	M42 x 4.5-6g	63	26	108	65	93	85	100.5	230.5	350-800
LPB-M48	M48 x 5.0-6g	68	26	108	65	93	85	100.5	230.5	350-800
LPB-M56	M56 x 5.5-6g	84	32	120	70	105	95	132	278	350-900
LPB-M64	M64 x 6.0-6g	95	32	120	70	105	95	132	278	500-1000

Schemat obciążenia LPB

Temperatura pracy od -40° do +200°C bez redukcji DOR.

Uwaga: Produkt jest oznaczony najniższym WLL z tabeli. Przy bezpośrednim pionowym podnoszeniu wzdłuż osi śruby, dopuszczalne jest stosowanie DOR wyższego niż ogólnie oznaczony DOR.

Obciążenie									
Kąt obciążenia	0	90	0	90	0-45	45-60	0-45	45-60	Asymetryczny
Współczynnik obciążenia		1		2	1.4	1	2.1	1.5	1
Model	Limit obciążenia roboczego DOR (t)								
LPB-M8	0.6	0.4	1.2	0.8	0.6	0.4	0.8	0.6	0.4
LPB-M10	0.9	0.6	1.8	1.2	0.8	0.6	1.3	0.9	0.6
LPB-M12	1.2	0.7	2.4	1.4	1.0	0.7	1.5	1.1	0.7
LPB-M16	2.6	1.5	5.2	3	2.1	1.5	3.2	2.3	1.5
LPB-M20	4	2.5	8	5	3.5	2.5	5.3	3.8	2.5
LPB-M24	7	4	14	8	5.6	4	8.4	6	4
LPB-M30	10	6	20	12	8.4	6	12.6	9	6
LPB-M36	15	10	30	20	14	10	21	15	10
LPB-M42	17	13	34	26	18.2	13	27.3	19.5	13
LPB-M48	18	14	36	28	19.6	14	29.4	21	14
LPB-M56	28	20	56	4	28	20	42	30	20
LPB-M64	28	20	56	40	28	20	42	30	20

OSTRZEŻENIE

Praca z urządzeniami i sprzętem do podnoszenia musi być zaplanowana, zorganizowana i wykonana w taki sposób, aby zapobiegać niebezpiecznym sytuacjom. Zgodnie z krajowymi przepisami prawnymi, urządzenia i sprzęt podnośny mogą być używane tylko przez osoby dobrze zaznajomione z pracą oraz posiadające teoretyczną i praktyczną wiedzę na temat bezpiecznego użytkowania. Przed użyciem sprzętu należy przeczytać instrukcję obsługi. Zawiera ona ważne informacje o tym, jak sprzęt będzie działał w bezpieczny i poprawny sposób. Nieprzestrzeganie przepisów tej instrukcji może spowodować poważne konsekwencje, takie jak ryzyko urazu. Oprócz instrukcji obsługi odnosimy się do istniejących krajowych przepisów, które mogą zastąpić te instrukcje.

Opis ogólny

Punkty mocowania POWERTEX LPB są przeznaczone do użytku jako sprzęt do podnoszenia, który ma być montowany bezpośrednio na ładunku w celu jego podniesienia lub używany jako części zespołu podnoszącego, takiego jak trawers zawiesia, pas dźwigowy itp. LPB mają obrotowe łożysko kulkowe, co pozwala na obrót również pod obciążeniem. Punkty mocowania POWERTEX LPB spełniają wszystkie istotne wymagania Dyrektywy Maszynowej 2006/42/EC i jej najnowszych zmian..

Użytkowanie w niekorzystnych środowiskach

Wpływ temperatury na dopuszczalne obciążenie robocze (DOR): Należy wziąć pod uwagę temperaturę, która może być osiągnięta podczas pracy. Punkty mocowania POWERTEX LPB mogą być używane w temperaturach od -40°C do +200°C bez zmniejszania dopuszczalnych obciążeń roboczych.

Środowisko kwaśne: Komponenty do podnoszenia o wysokiej wytrzymałości nie powinny być używane ani zanurzone w roztworach kwasowych, ani narażone na opary kwasowe. Z tego samego powodu nie mogą być one cynkowane ogniowo lub elektrolitycznie bez zgody producenta.

Wpływ chemikaliów: Skonsultuj się ze swoim dystrybutorem, w przypadku gdy produkty mają być narażone na działanie chemikaliów, zwłaszcza w połączeniu z wysokimi temperaturami.

Warunki niebezpieczne: W szczególnie niebezpiecznych warunkach, w tym działaniach na morzu, podnoszeniu osoby i podnoszeniu potencjalnie niebezpiecznych ładunków, takich jak płynne metale, materiały żrące lub materiały rozszczepialne, stopień zagrożenia powinien być oceniony przez kompetentną osobę, a dopuszczalne obciążenie robocze odpowiednio dostosowane.

Zakres temperatur użytkowania

-40 do +200°C bez redukcji WLL / DOR

+200 do +300°C dozwolone z redukcją DOR o 10%

+300 do +400°C dozwolone z redukcją DOR o 25%

Oznakowanie

Punkty mocowania POWERTEX LPB są ogólnie oznaczone:

- Dopuszczalne obciążenie robocze (DOR), np. WLL 0,4t
- Symbol producenta, np. POWERTEX lub PX
- Nazwa modelu – Rozmiar, np. LPB-M8
- Kod identyfikacji, np. F2 (wskazujący na konkretną partię)
- Znaki zgodności CE + UKCA

Materiał i wykończenie

Punkty mocowania POWERTEX LPB są kute ze stali stopowej o wysokiej wytrzymałości, a części są malowane proszkowo elektrostatycznie. Spawane ogniwa są testowane pod obciążeniem próbnym 2,5 x DOR. Inne części przenoszące obciążenie są testowane pod kątem wykrywania pęknięć.

Dobór

Wybierz typ punktu mocowania, rozmiar gwintu i dopuszczalne obciążenie robocze odpowiednie dla danej aplikacji. Jeśli mogą wystąpić ekstremalne warunki, wibracje lub obciążenia szokowe, należy to wziąć pod uwagę przy wyborze odpowiedniego punktu mocowania.

Przed pierwszym użyciem

Upewnij się, że dostarczone punkty mocowania odpowiadają zamówieniu oraz że dostępne są certyfikat i deklaracja zgodności. Prowadź rejestr każdego sprzętu do podnoszenia i upewnij się, że są one regularnie sprawdzane pod kątem przydatności do użytku.

Montaż i użytkowanie

Jeśli którykolwiek z tych punktów kontrolnych nie jest spełniony, punktu mocowania nie może być używany:

- Sprawdź, czy wszystkie oznaczenia są czytelne.
- Sprawdź, czy nie ma żadnych wad, takich jak zużycie, deformacja, cięcia, nacięcia, wgłębienia, pęknięcia, korozja lub inne widoczne wady, które mogą wpłynąć na bezpieczeństwo.

Upewnij się, że DOR punktu mocowania jest wystarczający dla podnoszonego ładunku, patrz tabela DOR. Punkt mocowania należy dokręcić do konstrukcji lub ładunku za pomocą klucza dynamometrycznego. Jeśli istnieje ryzyko wibracji itp., należy rozważyć użycie Loctite lub innych środków zabezpieczających. Upewnij się po montażu, że punkt mocowania może swobodnie obracać się i przechylać bez żadnych przeszkód w zamierzonych kątach użytkowania. Otwory gwintowane muszą być wystarczająco głębokie, aby dolna część punktu mocowania była podparta przez powierzchnię kontaktu. Otwór gwintowany musi być wykonany prostopadle do powierzchni kontaktu, a powierzchnia kontaktu musi być płaska i wymiarowana tak, aby pomieścić punkt mocowania..

Zalecane minimalne długości gwintów dla różnych materiałów w stosunku do średnicy gwintu metrycznego:

- 1 x M dla stali
- 1,25 x M dla żeliwa
- 2 x M dla stopów aluminium
- 2,5 x M dla stopów aluminium-magnezu

Po zamontowaniu ustaw ogniwo / ucho tak, aby można było je bezpośrednio połączyć z urządzeniem do podnoszenia lub Z pośredniczącym sprzętem podnośnym w celu wykonania operacji dźwigowej.

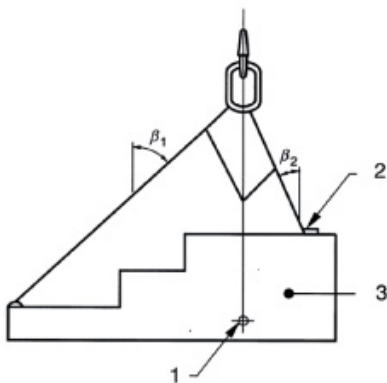
Bezpieczeństwo podczas podnoszenia

Dopuszczalne obciążenie robocze sprzętu do podnoszenia nigdy nie może być przekroczony. Ręce i inne części ciała powinny być utrzymywane w bezpiecznej odległości, aby zapobiec urazom, gdy redukowane są luzy np. zawiesia. Ładunek powinien być podnoszony lekko, bez szarpnięć, i należy sprawdzić, czy jest zabezpieczony i przyjmuje zamierzona pozycję. Osoby zajmujące się podniesiony wstępnie na niewielką wysokość bez szarpnięć, po czym przechylaniem ładunków. Nigdy nie wolno dopuszczać, aby osoby lub części ciała znajdowały się pod wiszącym ładunkiem. Nie wolno pozwalać osobom jechać na ładunku, podczas gdy ładunek jest podnoszony. Miejsce lądowania powinno być dobrze przygotowane. Należy upewnić się, że podłoże lub podłoga mają wystarczającą wytrzymałość, aby przyjąć ładunek. Należy również upewnić się, że jest odpowiedni dostęp do miejsca lądowania i że jest ono wolne od niepotrzebnych przeszkód i osób. Ładunek powinien być ostrożnie opuszczony, upewniając się, że części ciała są na bezpiecznej odległości. Upewnij się, że ładunek jest stabilny po opuszczeniu, zanim odłączysz sprzęt do podnoszenia.

Środek ciężkości

Aby uniknąć kołysania się lub obracania ładunku, ważne jest, aby punkty podnoszenia były umieszczone symetrycznie nad środkiem ciężkości ładunku:

- Dla podnoszenia 1-punktowego punkt mocowania powinien być umieszczony pionowo nad środkiem ciężkości.
- Dla podnoszenia 2-punktowego punkty mocowania powinny być rozmieszczone po obu stronach i nad środkiem ciężkości.
- Dla podnoszenia 3- i 4-punktowego punkty mocowania powinny być rozmieszczone symetrycznie w płaszczyźnie wokół i nad środkiem ciężkości. Preferowane jest, aby rozkład był równy i aby punkty mocowania znajdowały się nad środkiem ciężkości.



1. Środek ciężkości
2. Wysokie napięcie w tej nodze
3. Obciążenie P

Symetria ładunku

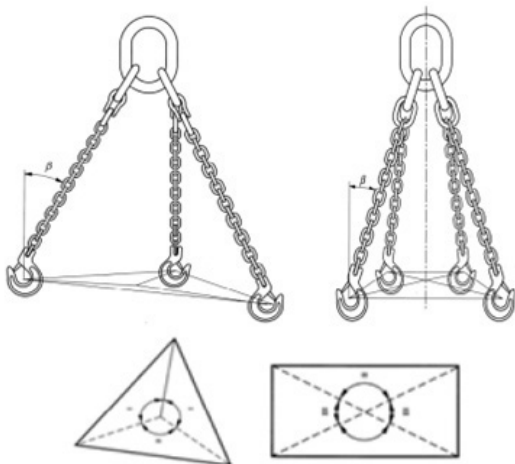
DORy (WLL) dla różnych konfiguracji zostały ustalone na podstawie symetrycznego obciążenia. Oznacza to, że gdy ładunek jest podnoszony, punkty podnoszenia są rozmieszczone symetrycznie w płaszczyźnie i tworzą te same kąty względem pionu.

W przypadku zawiesi łańcuchowych o 2, 3 i 4 cięgnach, jeśli tworzą one różne kąty względem pionu, największe napięcie będzie w cięgnie o najmniejszym kącie do pionu. W skrajnym przypadku, jeśli jedno z cięgien jest pionowe, będzie ono przenosić cały ładunek.

Można założyć, że obciążenie jest symetryczne, jeśli spełnione są wszystkie następujące warunki i ładunek jest mniejszy niż 80% oznaczonego WLL:

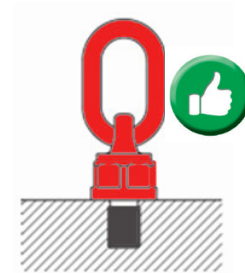
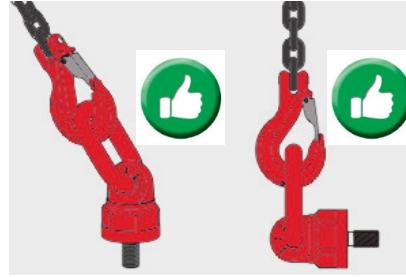
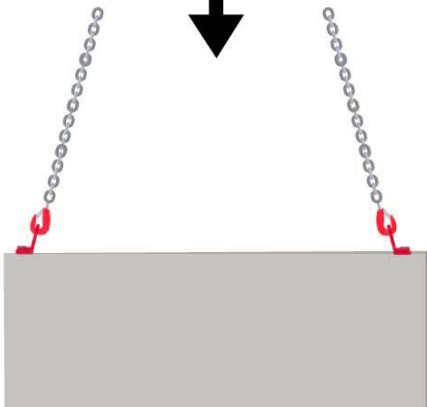
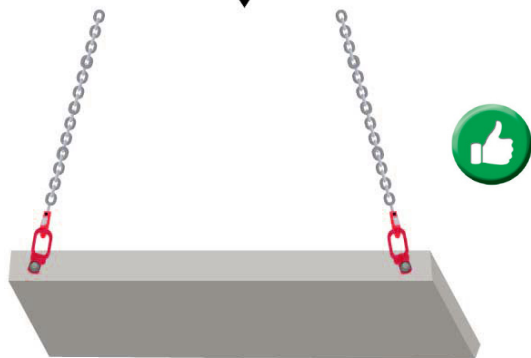
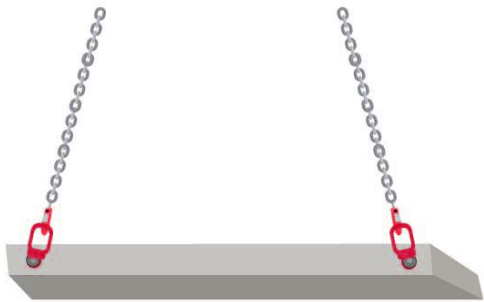
- kąty cięgien zawiesia względem pionu są nie mniejsze niż 15° ; i
- kąty cięgien zawiesia względem pionu są w obrębie 15° względem siebie; i
- w przypadku zawiesi o 3 i 4 cięgnach, kąty w płaszczyźnie są w obrębie 15° względem siebie.

Jeśli wszystkie powyższe parametry nie są spełnione, wówczas załadunek powinien być uznany za asymetryczny, a podnoszenie powinno zostać skonsultowane z kompetentną osobą w celu ustalenia bezpiecznej klasyfikacji. Alternatywnie, w przypadku asymetrycznego załadunku, zawiesie powinno być klasyfikowane na połowę oznaczonego DOR.



Symetria obciążenia

Dozwolone użycie / Zakazane użycie



Magazynowanie punktów podnoszenia

Gdy nie są używane, punkty podnoszenia powinny być normalnie przechowywane na odpowiednio zaprojektowanym stojaku. Nie powinny być pozostawione na ziemi, gdzie mogą ulec uszkodzeniu. Jeśli prawdopodobne jest, że produkty nie będą używane przez jakiś czas, powinny być one oczyszczone, wysuszone i chronione przed korozją, np. lekko naoliwione.

Inspekcja i konserwacja

Kontrola dzienna

Podczas użytkowania punkty podnoszenia są narażone na warunki, które mogą wpłynąć na ich bezpieczeństwo. Dlatego konieczne jest codzienne sprawdzanie i zapewnienie, że punkty podnoszenia są bezpieczne do dalszego użytku. Punkt podnoszenia powinien zostać wycofany z użytku i skierowany do kompetentnej osoby do badania szczegółowego, jeśli przed każdym użyciem zaobserwowano któreś z poniższych:

- Sprawdź, czy wszystkie oznaczenia są czytelne.
- Sprawdź, czy nie ma żadnych wad, takich jak zużycie, deformacja, cięcia, nacięcia, pęknięcia, korozja lub inne widoczne defekty, które mogą wpłynąć na bezpieczeństwo.
- Sprawdź, czy obrót łożyska kulkowego odbywa się łatwo i nie ma nadmiernego luzu.
- Upewnij się, że WLL punktu podnoszenia jest wystarczający dla podnoszonego ładunku.
- Upewnij się, że punkt podnoszenia jest mocno przykręcony do konstrukcji i że punkt podnoszenia może swobodnie obracać się i przechylać bez żadnych przeszkód w zamierzonych kątach użytkowania.

Badanie szczegółowe

Badanie szczegółowe powinno być przeprowadzane przez kompetentną osobę w odstępach nie przekraczających dwunastu miesięcy. Ten okres powinien być krótszy, jeśli jest to konieczne w świetle warunków użytkowania. Ewidencje takich badań powinny być utrzymywane.

Produkty powinny być dokładnie oczyszczone z oleju, brudu i rdzy przed badaniem. Każda metoda czyszczenia, która nie uszkadza metalu macierzystego, jest akceptowalna. Metodami, których należy unikać, są te używające kwasów, przegrzewania, usuwania metalu lub przesuwania metalu, które mogą zakrywać pęknięcia lub wady powierzchni.

Należy zapewnić odpowiednie oświetlenie, aby wykryć wszelkie oznaki zużycia, deformacji lub zewnętrznego uszkodzenia.

Komponenty, które są zużyte, zdeformowane, pęknięte, widocznie zniekształcone, silnie skorodowane lub mają osady, których nie można usunąć, powinny zostać zutylizowane i wymienione. Drobne uszkodzenia, takie jak nacięcia i zadrapania, mogą być usunięte przez ostrożne zeszlifowanie. Powierzchnia powinna płynnie przechodzić w przylegający materiał bez nagłej zmiany przekroju. Całkowite usunięcie uszkodzenia nie powinno zmniejszyć grubości przekroju w tym punkcie do wartości mniejszej niż określone przez producenta minimalne wymiary lub o więcej niż 10% nominalnej grubości przekroju. Sprawdź stan gwintowanego trzpienia. Sprawdź, czy obrót łożyska kulkowego odbywa się łatwo i nie ma nadmiernego luzu.

Naprawa: Używaj tylko oryginalnych części

Koniec użytkowania / Utylizacja

Punkty podnoszenia powinny być segregowane / złomowane jako ogólny złom stalowy.

Zrzeczenie się odpowiedzialności

Zastrzegamy sobie prawo do modyfikacji projektu produktu, materiałów, specyfikacji lub instrukcji bez wcześniejszego powiadomienia i bez zobowiązań wobec innych.

Jeśli produkt zostanie w jakikolwiek sposób zmodyfikowany, lub jeśli zostanie połączony z produktem/komponentem niekompatybilnym, nie ponosimy odpowiedzialności za konsekwencje dotyczące bezpieczeństwa produktu.

Deklaracja zgodności EC

SCM Citra OY

Asessorinkatu 3-7

20780 Kaarina, Finlandia

www.powertex-products.com

niniejszym deklaruje, że produkt POWERTEX opisany powyżej jest zgodny z Dyrektywą Maszynową EC 2006/42/EC.

Oznakowanie

Punkty dźwigowe POWERTEX LPB są oznaczone znakami CE i UKCA.



Instrukcje użytkownika

Zawsze możesz znaleźć aktualne instrukcje użytkownika w sieci.
Instrukcja jest aktualizowana na bieżąco i ważna tylko w najnowszej wersji.

Uwaga! Wersja angielska jest oryginalną instrukcją.

Instrukcja jest dostępna do pobrania pod następującym linkiem:
www.powertex-products.com/manuals



Zgodność i zgodność produktu



SCM Citra OY
Asessorinkatu 3-7
20780 Kaarina, Finlandia
Finlandia
www.powertex-products.com

POWERTEX

www.powertex-products.com