

## Vertical Directional Blocks



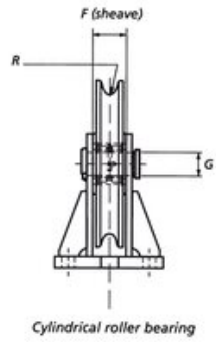
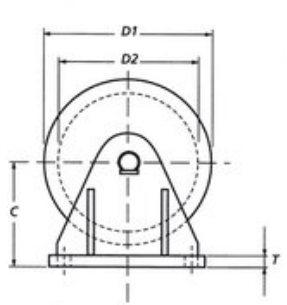
### Product information

**General:**

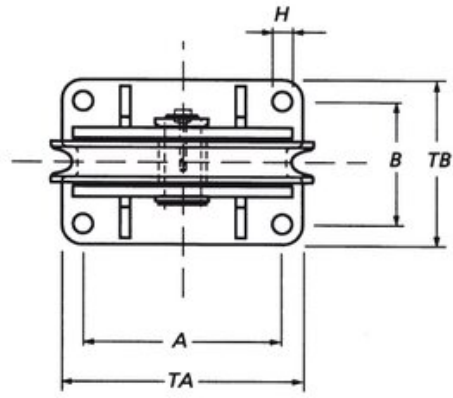
- Groove in sheave may be adjusted to other wire rope diameters.
- No test certificate possible.

Part Code	Rope Ø range mm	WLL ton	Bearing	Bearing	Weight kg
16.19251250110	10	1	Bronze bearing	Bronze	3
16.19251500210	12	2	Bronze bearing	Bronze	5
16.19252000310	14	3	Bronze bearing	Bronze	8
16.19252500410	18	4	Bronze bearing	Bronze	17
16.19253000610	20	6	Bronze bearing	Bronze	26
16.19253500810	22	8	Bronze bearing	Bronze	41
16.19254001010	24	10	Bronze bearing	Bronze	64

# Blueprint



*Cylindrical roller bearing*



*Bronze bushing*