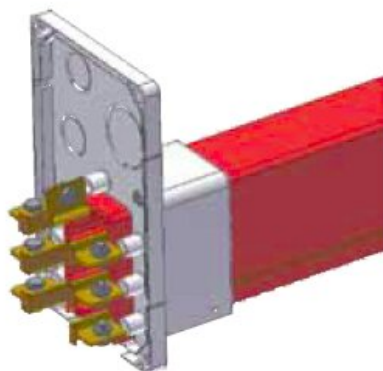


Multiconductor end feed boxes

Product information

EB40 (opened)



General:

End feed boxes are used for the connection of the feeding cable to the outer end of the Multiconductor system. All feed boxes are fitted with metric glands. It is possible to use extra glands and/or several diameter ranges from type EB40. End feed clamps are required for connection of copper conductors 125A or 160A.

End feed boxes:

Type EBS32

Compact end feed box with cable gland M32, suitable for cables Ø10-Ø21 mm. Connecting screws M6 included.

Type EB40

End feed box for with cable gland M40, suitable for cables Ø16-Ø28 mm. Connecting screws M6 included.

Type EB63

As end feed box EB40, but with cable gland M63, suitable for cables Ø30-Ø44,5 mm. Connecting screws M6 included.

End feed clamps:

Type EC160

Required for connecting copper conductors 125A or 160A to the cable lug of the connection cable. To be ordered separately.

Description	max temp. °C	range of diameter feeding cable mm	max. copper conductors mounted	I max (80% D.C.) non-parallel(A)	protection degree without AS7	protection degree with AS7
End feed box 1xM32 EBS32	80	10 - 21	4xCu80 / 7xCu50	80	IP23	IP44
End feed box 1xM40 EB40	80	16 - 28	4xCu125 / 7xCu80	125	IP23	IP44
End feed box 1x63 EB63	80	30 - 44	4xCu160 / 7xCu80	-	-	-
End feed box EB	80	no glands	-	-	IP23	IP44
End feed clamp EC160	80	-	-	160	-	-

Blueprint

